

UMA



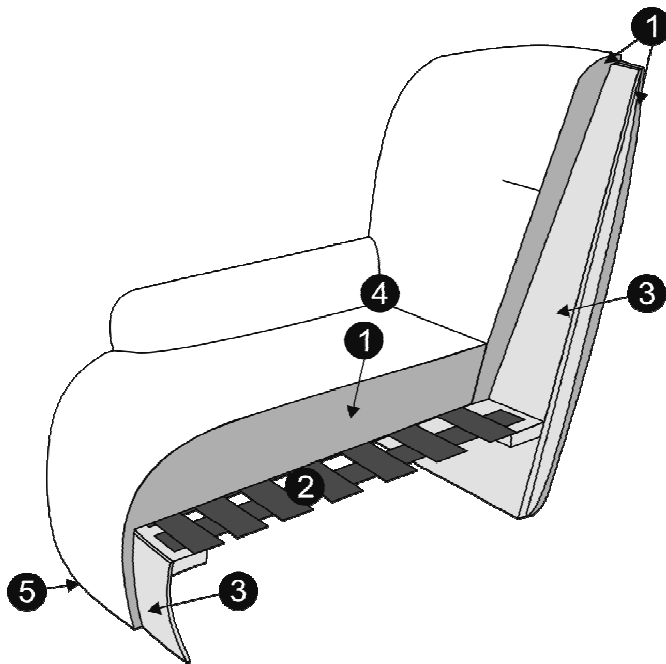
SITS

design: Steven Schilte

TECHNICAL SPECIFICATION

PROFILE

COMFORT: standard



1	polyurethane foam/high resilient polyurethane foam
2	upholstery belts
3	solid wood and wood based elements
4	fabric
5	plastic legs or swivel

The producer reserves the right to change construction of products and components used due to improving durability of product and customer satisfaction without any further notice.

UPHOLSTERY:

fabric or leather: FC - fix cover, COMFORT: STD - standard

FEET



UMA



SITS

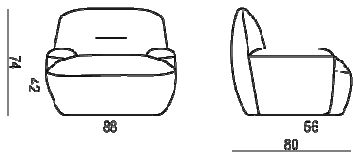
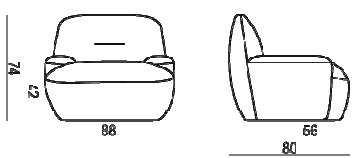
design: Steven Schilte

Sales Pricelist 2025

UPHOLSTERY: fabric: FC - fix cover COMFORT: STD - standard

Currency: HUF

Valid from: 01.01.2024

DIMENSION*	DESCRIPTION ARTICLE No	VOL.	WEIGHT	FABRIC USAGE	I	II	III	IV	E	
88x80x74/42	armchair									
	FC	E1577-0000-2S	0,63	30	2,5	286 425	301 500	316 575	336 675	376 875
88x80x74/42	armchair with swivel									
	FC	E1577-0050-2S	0,63	40	2,5	351 750	366 825	381 900	396 975	432 150

*Explicit +/- 2 cm tolerance of all elements sizes