

STELLA

LEATHER



SITS
— comfortable life

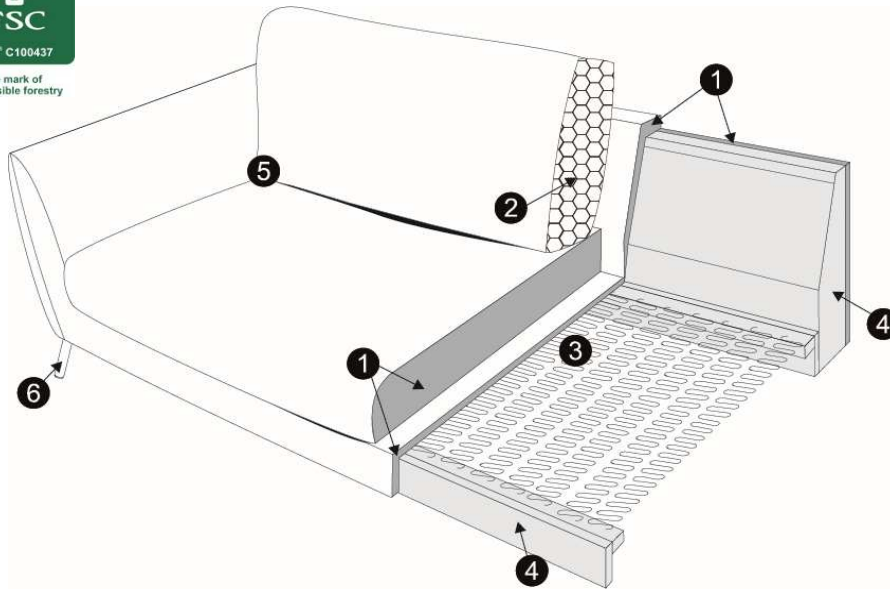
home&family

design: SITS

TECHNICAL SPECIFICATION

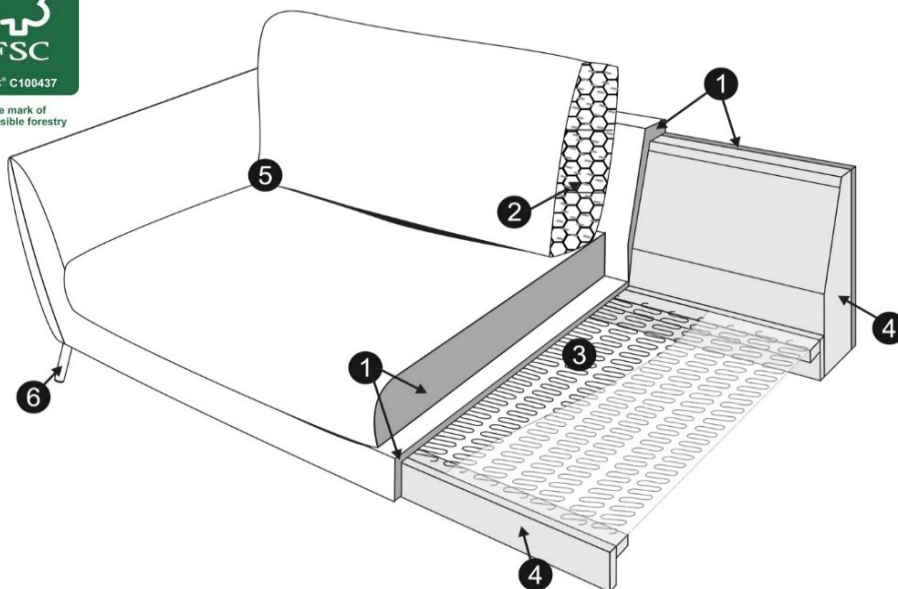
PROFILE

COMFORT: standard



- | | |
|---|---|
| 1 | polyurethane foam/high resilient polyurethane foam |
| 2 | silicone balls lux |
| 3 | springs |
| 4 | FSC® certified solid wood and wood based elements |
| 5 | leather |
| 6 | FSC® certified solid wood or metal legs (black, chrome) |

COMFORT: classic



- | | |
|---|---|
| 1 | polyurethane foam/high resilient polyurethane foam (extra firm) |
| 2 | foam flakes with silicone balls |
| 3 | springs |
| 4 | FSC® certified solid wood and wood based elements |
| 5 | leather |
| 6 | FSC® certified solid wood or metal legs (black, chrome) |

COMFORT: lux



- | | |
|---|--|
| 1 | polyurethane foam/high resilient polyurethane foam |
|---|--|

STELLA

LEATHER

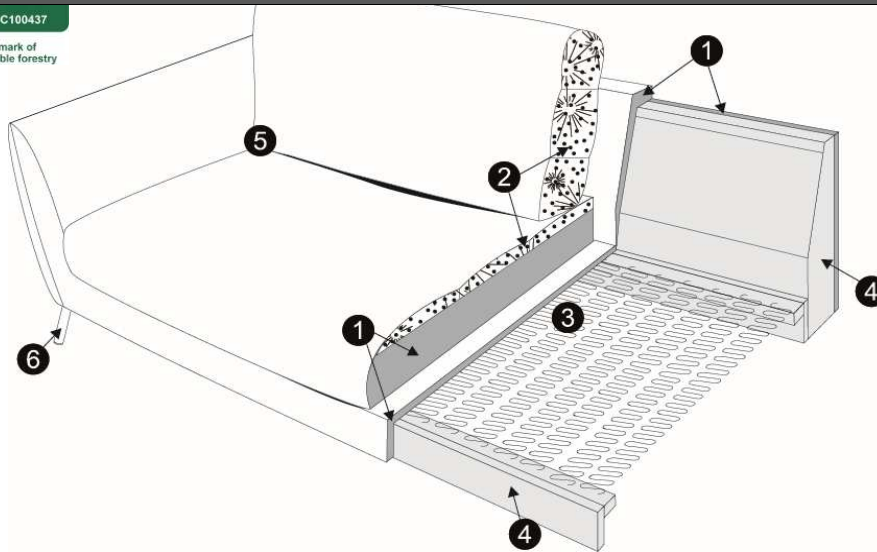


home&family

design: SITS

TECHNICAL SPECIFICATION

FSC® C100437
The mark of responsible forestry



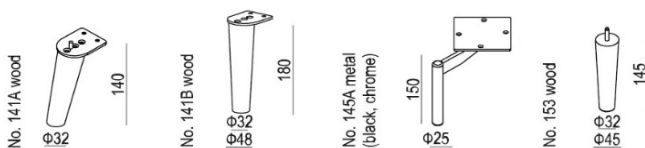
2	cushion chamber with mix of feather and silicone balls
3	springs
4	FSC® certified solid wood and wood based elements
5	leather
6	FSC® certified solid wood or metal legs (black, chrome)

The producer reserves the right to change construction of products and compnents used due to improving durability of product and customer satisfaction without any further notice.

UPHOLSTERY:

leather (only some elements): FC - fix cover, fabric: FC - fix cover or LCV - loose cover with velcro,
COMFORT: CLS-classic, STD-standard or lux
Explicit: +/- 3 cm tolerance between comfort LUX und STD/CLS in hights

FEET



COLOURS OF WOODEN FEET



STELLA

LEATHER

home&family



SITS
— comfortable life

design: SITS

Sales Pricelist 2025

UPHOLSTERY: leather: FC - fix cover
COMFORTS: lux, CLS - classic or STD - standard

Currency: HUF

Valid from: 01.01.2024

DIMENSION* with legs H:140mm	DESCRIPTION ARTICLE No	VOL.	WEIGHT	LEATHER USAGE	TOUCH	ANILINE
227x102x85/44 3 seater						
	STD E2403-0400-2S	1,46	69	x	1 834 125	2 050 200
	CLS E2403-0400-2C	1,46	69	x	1 718 550	1 924 575
	LUX E2403-0400-2L	1,46	69	x	1 834 125	2 050 200
187x102x85/44 2 seater						
	STD E2403-0200-2S	1,21	54	x	1 623 075	1 814 025
	CLS E2403-0200-2C	1,21	54	x	1 517 550	1 698 450
	LUX E2403-0200-2L	1,21	54	x	1 623 075	1 814 025
136x102x85/44 armchair wide						
	STD E2403-0100-2S	0,88	52	x	1 256 250	1 396 950
	CLS E2403-0100-2C	0,88	52	x	1 180 875	1 306 500
	LUX E2403-0100-2L	0,88	52	x	1 256 250	1 396 950
116x102x85/44 armchair						
	STD E2403-0000-2S	0,75	45	x	1 160 775	1 276 350
	CLS E2403-0000-2C	0,75	45	x	1 090 425	1 200 975
	LUX E2403-0000-2L	0,75	45	x	1 160 775	1 276 350
90x70x44 footstool						
	STD E2403-1050-2S	0,27	19	x	613 050	668 325
	CLS E2403-1050-2C	0,27	19	x	582 900	623 100
	LUX E2403-1050-2L	0,27	19	x	613 050	668 325
77x21x65 headrest 21/77 (foam filling)						
	STD E2403-2177-4	0,11	2	x	190 950	236 175
62x21x65 headrest 21/62 (foam filling)						
	STD E2403-2162-4	0,09	2	x	190 950	236 175
*Explicit +/- 2 cm tolerance of all elements sizes						
Załączone ceny rekomendowane mają charakter sugerowanych cen sprzedaży. Kupujący nie jest związany cenami rekomendowanymi.						