

SIGGE
standard



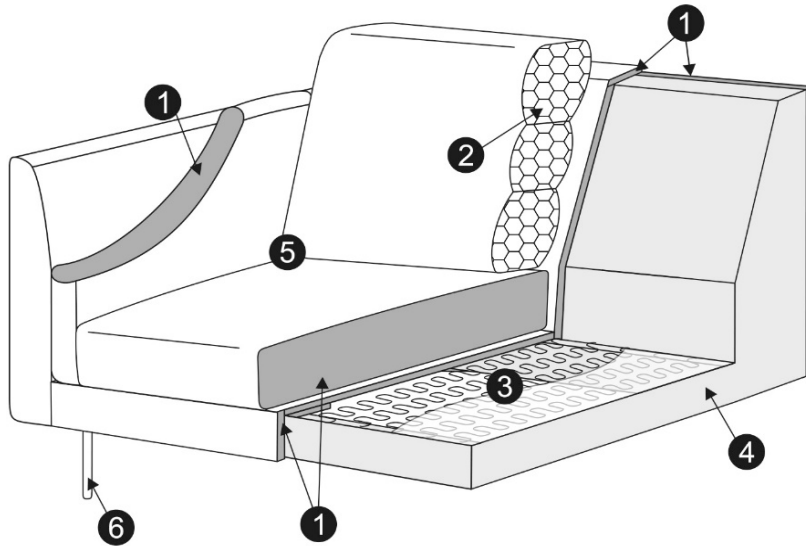
SITS

design: Steven Schilte

TECHNICAL SPECIFICATION

PROFILE

COMFORT: standard



1	polyurethane foam/ high resilient polyurethane foam
2	silicone balls
3	springs
4	FSC® certified solid wood and wood based elements
5	fabric
6	FSC® certified solid wood legs or metal legs (black, chrome)

The producer reserves the right to change construction of products and components used due to improving durability of product and customer satisfaction without any further notice.

UPHOLSTERY:

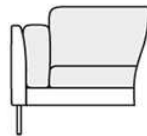
fabric: FC - fix cover or LCV - loose cover with velcro COMFORT: standard or lux
leather: FC - fix cover COMFORT: standard or lux

TWO OPTIONS TO PLACE THE FEET

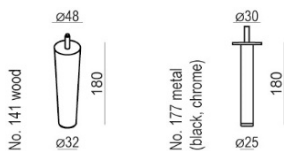
THERE ARE 2 OPTIONS TO PLACE THE LEGS:

under frame

under armrest



FEET



COLOURS OF WOODEN FEET

oak



bleached
oak



walnut



black





Sales Pricelist 2025

UPHOLSTERY: fabric: FC - fix cover or LCV - loose cover with velcro COMFORT: STD - stand: Currency: HUF Valid from: 01.01.2024

DIMENSION*	DESCRIPTION ARTICLE No	VOL.	WEIGHT	FABRIC USAGE	I	II	III	IV	E	
241x98x80/43										
3,5 seater divided										
	FC	E1496-0700-2S	1,53	77	11,7	979 875	1 045 200	1 130 625	1 200 975	1 477 350
	LCV	E1496-0700-4S	1,53	77	11,7	1 065 300	1 145 700	1 221 075	1 306 500	1 618 050
	COVER	E0496-0700-4	0,04	7	11,7	492 450	522 600	567 825	592 950	723 600
241x98x80/43										
3,5 seater										
	FC	E1496-0600-2S	1,53	77	11,7	924 600	994 950	1 075 350	1 145 700	1 427 100
	LCV	E1496-0600-4S	1,53	77	11,7	1 015 050	1 090 425	1 165 800	1 256 250	1 562 775
	COVER	E0496-0600-4	0,04	7	11,7	351 750	376 875	402 000	432 150	532 650
206x98x80/43										
3 seater										
	FC	E1496-0400-2S	1,31	67	10,2	819 075	884 400	944 700	1 015 050	1 256 250
	LCV	E1496-0400-4S	1,31	67	10,2	899 475	969 825	1 035 150	1 105 500	1 376 850
	COVER	E0496-0400-4	0,04	6	10,2	391 950	417 075	447 225	477 375	587 925
176x98x80/43										
2 seater										
	FC	E1496-0200-2S	1,13	58	9,2	743 700	804 000	864 300	914 550	1 145 700
	LCV	E1496-0200-4S	1,13	58	9,2	814 050	879 375	939 675	1 010 025	1 256 250
	COVER	E0496-0200-4	0,04	6	9,2	351 750	376 875	402 000	432 150	532 650
50x15x60										
headrest 50/15 with roll (foam filling)										
	LCV	E1826-1550-4	0,17	2	1,1	80 400	80 400	85 425	95 475	110 550
	COVER	E0826-1550-4	0,10	1	1,1	80 400	80 400	85 425	95 475	110 550
elements for building sets:										
218x98x80/43										
3,5 seater left										
	FC	E1496-0620-2S	1,39	70	9,6	668 325	723 600	768 825	834 150	1 025 100
	LCV	E1496-0620-4S	1,39	70	9,6	728 625	788 925	844 200	904 500	1 125 600
	COVER	E0496-0620-4	0,04	6	9,6	316 575	346 725	361 800	391 950	477 375
218x98x80/43										
3,5 seater right										
	FC	E1496-0610-2S	1,39	70	9,6	668 325	723 600	768 825	834 150	1 025 100
	LCV	E1496-0610-4S	1,39	70	9,6	728 625	788 925	844 200	904 500	1 125 600
	COVER	E0496-0610-4	0,04	6	9,6	316 575	346 725	361 800	391 950	477 375
195x98x80/43										
3,5 seater without armrests										
	FC	E1496-0630-2S	1,24	63	7,7	633 150	688 425	733 650	778 875	974 850
	LCV	E1496-0630-4S	1,24	63	7,7	698 475	743 700	804 000	854 250	1 065 300
	COVER	E0496-0630-4	0,04	5	7,7	306 525	321 600	351 750	371 850	462 300



Sales Pricelist 2025

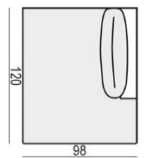
UPHOLSTERY: fabric: FC - fix cover or LCV - loose cover with velcro COMFORT: STD - stand: Currency: HUF Valid from: 01.01.2024

DIMENSION*	DESCRIPTION ARTICLE No	VOL.	WEIGHT	FABRIC USAGE	I	II	III	IV	E	
183x98x80/43	3 seater left									
	FC	E1496-0420-2S	1,17	60	8,1	668 325	723 600	768 825	834 150	1 025 100
	LCV	E1496-0420-4S	1,17	60	8,1	728 625	788 925	844 200	904 500	1 125 600
	COVER	E0496-0420-4	0,04	5	8,1	316 575	346 725	361 800	391 950	477 375
183x98x80/43	3 seater right									
	FC	E1496-0410-2S	1,17	60	8,1	668 325	723 600	768 825	834 150	1 025 100
	LCV	E1496-0410-4S	1,17	60	8,1	728 625	788 925	844 200	904 500	1 125 600
	COVER	E0496-0410-4	0,04	5	8,1	316 575	346 725	361 800	391 950	477 375
160x98x80/43	3 seater without armrests									
	FC	E1496-0430-2S	1,02	53	5,6	517 575	567 825	587 925	623 100	773 850
	LCV	E1496-0430-4S	1,02	53	5,6	572 850	608 025	638 175	683 400	849 225
	COVER	E0496-0430-4	0,04	4	5,6	246 225	261 300	281 400	301 500	371 850
153x98x80/43	2 seater left									
	FC	E1496-0220-2S	0,98	51	7,2	592 950	638 175	688 425	733 650	909 525
	LCV	E1496-0220-4S	0,98	51	7,2	643 200	703 500	743 700	804 000	994 950
	COVER	E0496-0220-4	0,04	4	7,2	281 400	306 525	321 600	351 750	432 150
153x98x80/43	2 seater right									
	FC	E1496-0210-2S	0,98	51	7,2	592 950	638 175	688 425	733 650	909 525
	LCV	E1496-0210-4S	0,98	51	7,2	643 200	703 500	743 700	804 000	994 950
	COVER	E0496-0210-4	0,04	4	7,2	281 400	306 525	321 600	351 750	432 150
130x98x80/43	2 seater without armrests									
	FC	E1496-0230-2S	0,84	44	5,2	447 225	482 400	507 525	552 750	683 400
	LCV	E1496-0230-4S	0,84	44	5,2	482 400	522 600	567 825	603 000	738 675
	COVER	E0496-0230-4	0,04	3	5,2	211 050	221 100	246 225	261 300	321 600
98x98x80/43	corner 90°									
	FC	E1496-1302-2S	0,64	35	4,7	447 225	472 350	497 475	527 625	658 275
	LCV	E1496-1302-4S	0,64	35	4,7	482 400	507 525	547 725	582 900	723 600
	COVER	E0496-1302-4	0,02	3	4,7	211 050	221 100	241 200	251 250	316 575
120x98x80/43	bench left									
	FC	E1496-1310-2S	0,77	32	4,0	447 225	472 350	497 475	522 600	653 250
	LCV	E1496-1310-4S	0,77	32	4,0	482 400	507 525	547 725	577 875	713 550
	COVER	E0496-1310-4	0,02	3	4,0	211 050	221 100	241 200	246 225	311 550

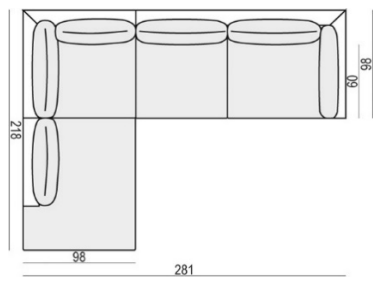


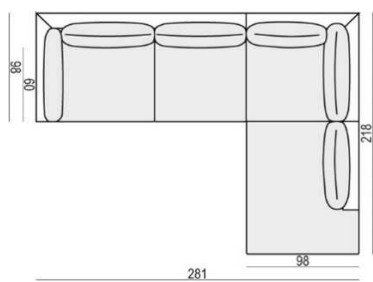
Sales Pricelist 2025

UPHOLSTERY: fabric: FC - fix cover or LCV - loose cover with velcro COMFORT: STD - stand: Currency: HUF Valid from: 01.01.2024

DIMENSION*	DESCRIPTION ARTICLE No	VOL.	WEIGHT	FABRIC USAGE	I	II	III	IV	E	
120x98x80/43	bench right									
	FC	E1496-1311-2S	0,77	32	4,0	447 225	472 350	497 475	522 600	653 250
	LCV	E1496-1311-4S	0,77	32	4,0	482 400	507 525	547 725	577 875	713 550
	COVER	E0496-1311-4	0,02	3	4,0	211 050	221 100	241 200	246 225	311 550

suggested sets:

281/218x98x80/43	SET.1 left - 3 seater r. + corner 90° + bench l.									
	FC	E1496-5459-2S	2,58	127	16,8	1 562 775	1 668 300	1 763 775	1 884 375	2 336 625
	LCV	E1496-5459-4S	2,58	127	16,8	1 693 425	1 803 975	1 939 650	2 065 275	2 562 750
	COVER	E0496-5459-4	0,08	11	16,8	738 675	788 925	844 200	889 425	1 105 500

281/218x98x80/43	SET.1 right - 3 seater l. + corner 90° + bench r.									
	FC	E1496-5458-2S	2,58	127	16,8	1 562 775	1 668 300	1 763 775	1 884 375	2 336 625
	LCV	E1496-5458-4S	2,58	127	16,8	1 693 425	1 803 975	1 939 650	2 065 275	2 562 750
	COVER	E0496-5458-4	0,08	11	16,8	738 675	788 925	844 200	889 425	1 105 500

*Explicit +/- 2 cm tolerance of all elements sizes