

# MOKKA

LEATHER

cocktail&design



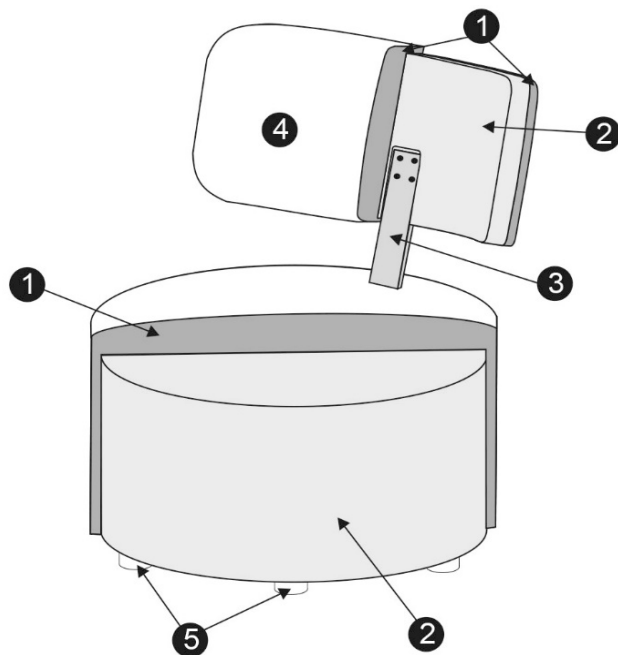
**SITS**  
— comfortable life

design: SITS

## TECHNICAL SPECIFICATION

### PROFILE

COMFORT: standard



- |   |  |
|---|--|
| 1 | polyurethane foam/high resilient polyurethane foam |
| 2 | solid wood/wood based elements and cardboard       |
| 3 | metal bar black                                    |
| 4 | leather  |
| 5 | plastic legs or swivel                             |

The producer reserves the right to change construction of products and components used due to improving durability of product and customer satisfaction without any further notice.

### UPHOLSTERY:

fabric or leather: FC - fix cover, COMFORT: STD-standard

### SPECIAL FEATURES

backrest metal part - black



### FEET

ARMCHAIR ESPRESSO,  
FOOTSTOOL SUGAR



ARMCHAIR CREAM,  
FOOTSTOOLS: CACAO, VANILIA



SWIVEL:  
ARMCHAIR ESPRESSO,  
FOOTSTOOL SUGAR

**MOKKA**  
LEATHER

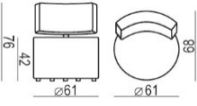
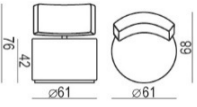
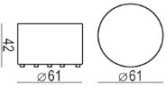
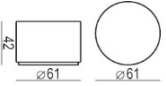
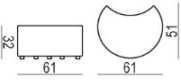
cocktail&design



**SITS**  
— comfortable life

design: SITS

### Sales Pricelist 2025

UPHOLSTERY: leather: FC - fix cover		COMFORT: STD-standard		Currency: HUF		Valid from: 01.01.2024	
DIMENSION*	DESCRIPTION ARTICLE No	VOL.	WEIGHT	LEATHER USAGE	TOUCH	ANILINE	
61x68x76/42 	<b>armchair espresso</b>  E2321-0000-2S	0,40	16	x	<b>361 800</b>	<b>402 000</b>	
61x68x76/42 	<b>armchair espresso with swivel</b>  E2321-0050-2S	0,40	27	x	<b>412 050</b>	<b>462 300</b>	
61x42 	<b>footstool sugar</b>  E2321-1010-2S	0,20	10	x	<b>281 400</b>	<b>306 525</b>	
61x42 	<b>footstool sugar with swivel</b>  E2321-1011-2S	0,20	15	x	<b>376 875</b>	<b>412 050</b>	
61x51x32 	<b>footstool vanilia</b>  E2321-1035-2S	0,10	9	x	<b>281 400</b>	<b>306 525</b>	
*Explicit +/- 2 cm tolerance of all elements sizes							
Załączone ceny rekomendowane mają charakter sugerowanych cen sprzedaży. Kupujący nie jest związany cenami rekomendowanymi.							