

JACK  
leather

home&family



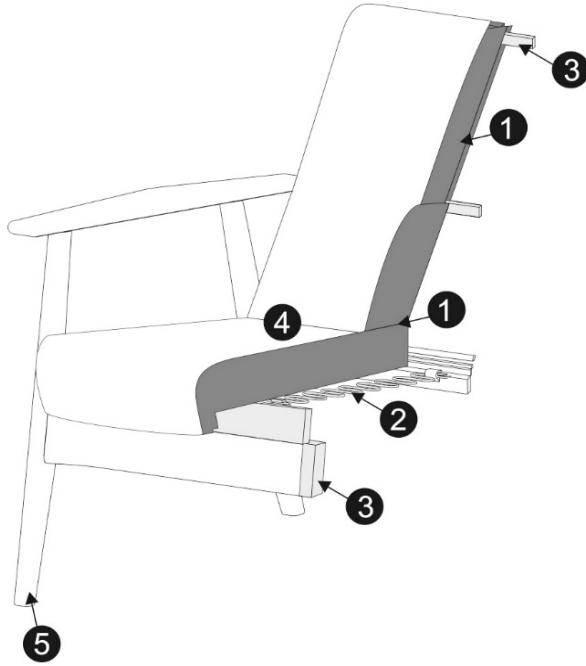
**SITS**  
—comfortable life

design: Ian Archer

## TECHNICAL SPECIFICATION

### PROFILE

COMFORT: standard



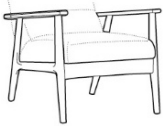
1	polyurethane foam/high resilient polyurethane foam
2	springs
3	solid wood and wood based elements
4	leather
5	solid wood frame (oak natur, bleached or black)

The producer reserves the right to change construction of products and compnents used due to improving durability of product and customer satisfaction without any further notice.

### UPHOLSTERY:

fabric or leather: FC - fix cover, COMFORT: STD - standard

### FEET



### COLOURS OF WOODEN FRAME

oak



bleached oak



black



JACK  
leather



**SITS**  
— comfortable life

home&family

design: Ian Archer

**Sales Pricelist 2025**

UPHOLSTERY: leather: FC - fix cover		COMFORT: STD - standard		Currency: HUF		Valid from: 01.01.2024	
DIMENSION*	DESCRIPTION ARTICLE No	VOL.	WEIGHT	LEATHER USAGE	TOUCH	ANILINE	
72x81x83/45	<b>armchair</b>						
	FC	<b>E2545-0000-2S</b>	0,63	25,5	X	<b>793 950</b>	<b>879 375</b>

\*Explicit +/- 2 cm tolerance of all elements sizes

Załączone ceny rekomendowane mają charakter sugerowanych cen sprzedaży. Kupujący nie jest związany cenami rekomendowanymi.