

HENRY



SITS
— comfortable life

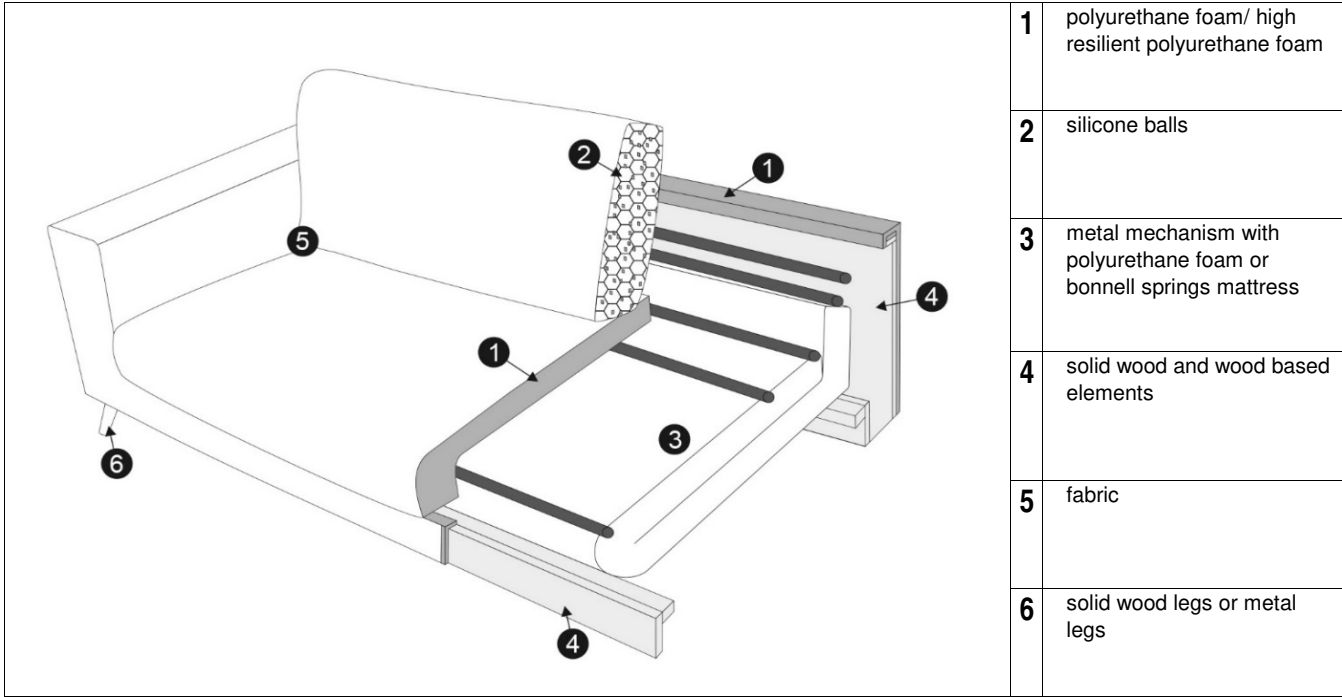
home&family

design: SITS

TECHNICAL SPECIFICATION

PROFILE

COMFORT: standard

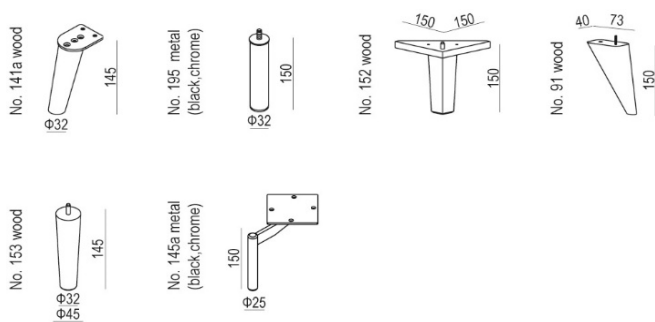


The producer reserves the right to change construction of products and components used due to improving durability of product and customer satisfaction without any further notice.

UPHOLSTERY:

fabric: FC - fix cover, COMFORT: STD - standard MATTRESS: foam or bonell

FEET



COLOURS OF WOODEN FEET



PHOTOS

HENRY

SITS
— comfortable life

home&family



design: SITS

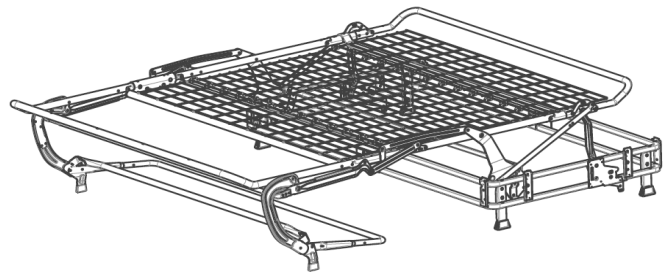
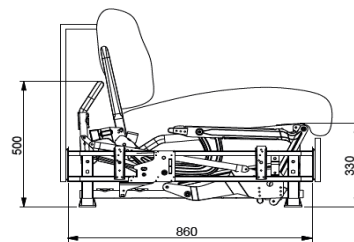
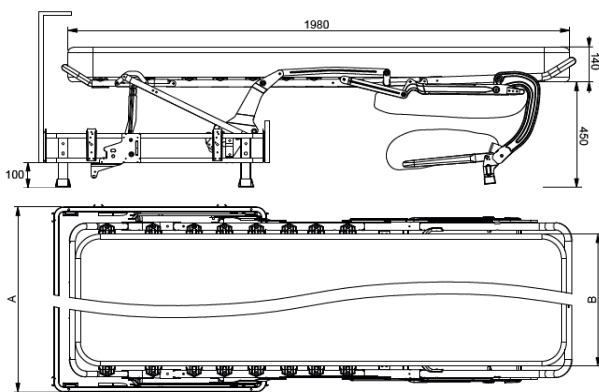
TECHNICAL SPECIFICATION



Total sofa depth after spread: 212 cm

MECHANISM

Mechanism colour is for reference only, actual colour may vary.



REF	A	B/Matress
182/160	182 cm	160 cm
162/140	162 cm	140 cm
102/80	102 cm	80 cm

MATTRESS

FOAM MATTRESS

foam HR 30 kg / non-reversible
Cover top: 100% PE, 180 g/m³
Cover bottom: 73% PE, 27% PP, 116g/m³
height 12 cm



top



bottom

SPRING MATTRESS

HENRY



SITS
— comfortable life

home&family

design: SITS

TECHNICAL SPECIFICATION

Reversible

springs biconical 2,2mm / height 9 cm

cover top and bottom: 73% PE, 27% PP, non woven fabric stitched FR flet 750g/m³

height 14 cm



HENRY


SITS
 — comfortable life

home&family

design: SITS

Sales Pricelist 2025

 UPHOLSTERY: fabric: FC - fix cover COMFORT: STD - standard
 MATTRESS: foam or bonell

Currency: HUF

Valid from: 01.01.2024

DIMENSION* with leg 141a H-150mm	DESCRIPTION ARTICLE No	VOL.	WEIGHT	FABRIC USAGE	I	II	III	IV	E
220x99x88/50 	4 seater sofa bed (bed surface: 160 x 200 x H:63cm) FC E1541-0840-2S	1,54	112	8,6	1 025 100	1 080 375	1 140 675	1 195 950	1 477 350
200x99x88/50 	3 seater sofa bed (bed surface: 140 x 200 x H:63cm) FC E1541-0440-2S	1,37	102	8,0	944 700	989 925	1 045 200	1 100 475	1 371 825
140x99x88/50 	armchair sofa bed (bed surface: 80 x 200 x H:63cm) FC E1541-0040-2S	0,90	65	6,0	773 850	819 075	854 250	899 475	984 900
66x22	armrest protection / set of 2								

HENRY


SITS
 — comfortable life

home&family

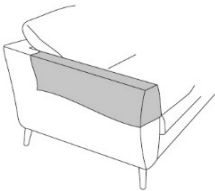
design: SITS

Sales Pricelist 2025

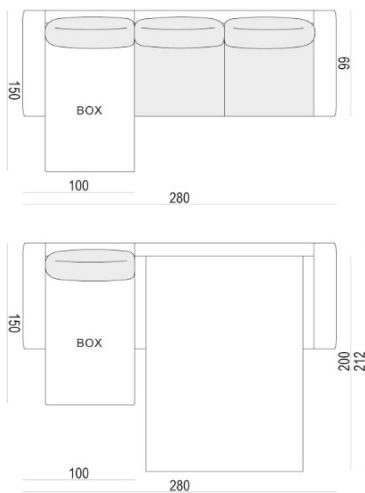
 UPHOLSTERY: fabric: FC - fix cover COMFORT: STD - standard
 MATTRESS: foam or bonell

Currency: HUF

Valid from: 01.01.2024

DIMENSION* with leg 141a H-150mm	DESCRIPTION ARTICLE No	VOL.	WEIGHT	FABRIC USAGE	I	II	III	IV	E
	LC E1541-1900-0	0,1	1	1	50250	60300	65325	70350	95475

280/150x99x88/50

SET 1 left - 3 seater sofa bed r. + chaiselongue box l. (bed surface: 140x200xH:63cm)


FC

E1541-5433-2S

2,19

142

12,3

1 331 625

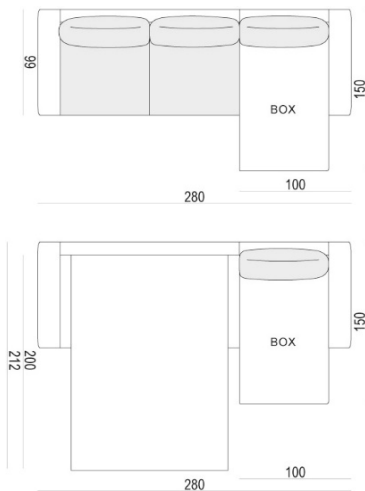
1 422 075

1 507 500

1 582 875

1 773 825

280/150x99x88/50

SET 1 right - 3 seater sofa bed l. + chaiselongue box r. (bed surface: 140x200xH:63cm)


FC

E1541-5432-2S

2,19

142

12,3

1 331 625

1 422 075

1 507 500

1 582 875

1 773 825

310/150x99x88/50

SET 2 left - 4 seater sofa bed r. + chaiselongue box l. (bed surface: 160x200xH:63cm)



Sales Pricelist 2025

 UPHOLSTERY: fabric: FC - fix cover COMFORT: STD - standard
 MATTRESS: foam or bonell

Currency: HUF

Valid from: 01.01.2024

DIMENSION* with leg 141a H-150mm	DESCRIPTION ARTICLE No	VOL.	WEIGHT	FABRIC USAGE	I	II	III	IV	E
	FC E1541-5999-2S	2,59	157	13,1	1 422 075	1 517 550	1 618 050	1 693 425	1 899 450

310/150x99x88/50	SET 2 right - 4 seater sofa bed l. + chaiselongue box r. (bed surface: 160x200xH:63cm)								
	FC E1541-5998-2S	2,59	157	13,1	1 422 075	1 517 550	1 618 050	1 693 425	1 899 450

Total sofa depth after spread: 212 cm. BOX in SET 1 - 122x74,5x15 / vol 0,14 m3, BOX in SET 2 - 122x84,5x15 / vol 0,16 m3

*Explicit +/- 2 cm tolerance of all elements sizes

Załączone ceny rekomendowane mają charakter sugerowanych cen sprzedaży. Kupujący nie jest związany cenami rekomendowanymi.