

CLARK

leather



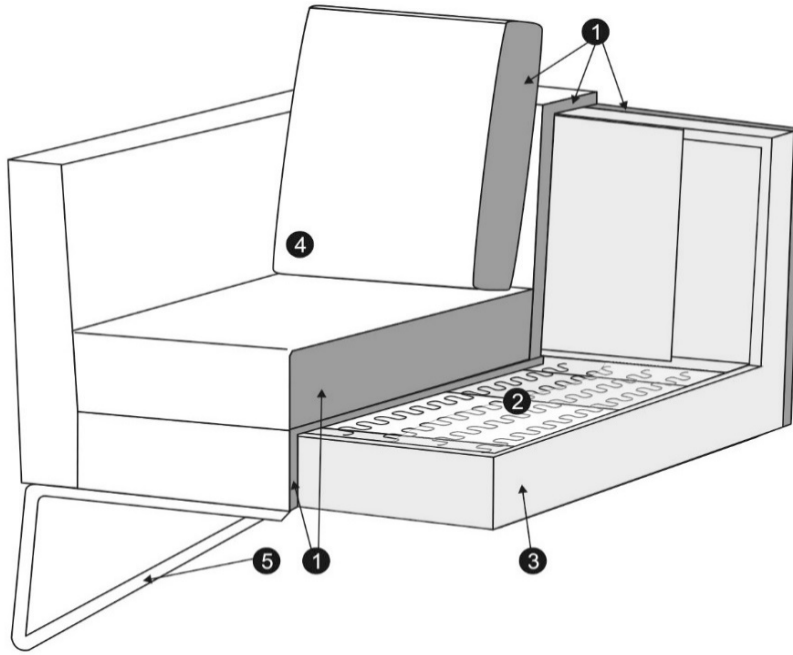
SITS

design: Niels Gammelgaard

TECHNICAL SPECIFICATION

PROFILE

COMFORT: standard



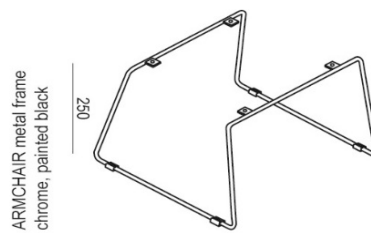
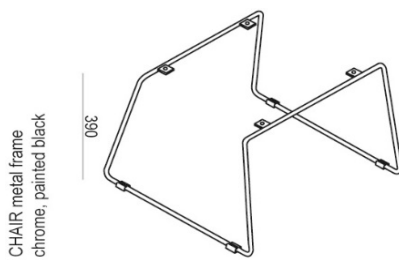
1	polyurethane foam/ high resilient polyurethane foam
2	springs
3	solid wood and wood based elements
4	leather
5	metal frame (black or chrome)

The producer reserves the right to change construction of products and components used due to improving durability of product and customer satisfaction without any further notice.

UPHOLSTERY:

leather or fabric: FC - fix cover, COMFORT: STD - standard

FEET



CLARK
leather



SITS

design: Niels Gammelgaard

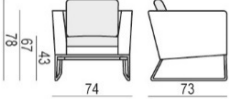
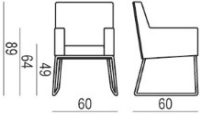
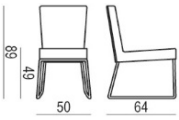
Sales Pricelist 2025

UPHOLSTERY: leather: FC - fix cover

COMFORT: STD - standard

Currency: HUF

Valid from: 01.01.2024

DIMENSION*	DESCRIPTION ARTICLE No	VOL.	WEIGHT	LEATHER USAGE	TOUCH	ANILINE
74x73x78/43 	armchair E2553-0001-2S	0,50	23	x	608 025	788 925
60x60x89/49 	chair with armrests E2553-1501-2S	0,40	15	x	336 675	376 875
50x64x89/49 	chair without armrests E2553-1500-2S	0,40	15	x	296 475	351 750
*Explicit +/- 2 cm tolerance of all elements sizes						
Załączone ceny rekomendowane mają charakter sugerowanych cen sprzedaży. Kupujący nie jest związany cenami rekomendowanymi.						