

JENNY BISTRO

LEATHER



SITS
— comfortable life

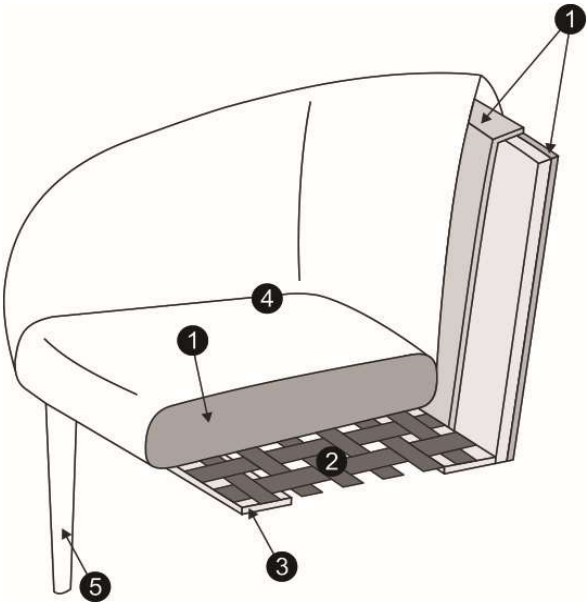
home&family

design: Ian Archer

TECHNICAL SPECIFICATION

PROFILE

COMFORT: standard

	1	polyurethane foam/ high resilient polyurethane foam
	2	upholstery belts
	3	solid wood and wood based elements
	4	leather
	5	wood legs

UPHOLSTERY:

leather or fabric: FC - fix cover

COLOURS OF WOODEN FRAME

oak



bleached oak



walnut



black



JENNY BISTRO

LEATHER

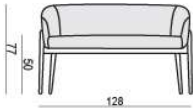

SITS
— comfortable life



home&family

design: Ian Archer

Sales pricelist 2024

UPHOLSTERY: leather: FC - fix cover		COMFORT: STD - standard		Currency:			Valid from: 01.02.2024.	
DIMENSION	DESCRIPTION ARTICLE No	VOL.	WEIGHT	LEATHER USAGE	TOUCH	ANILINE		
128x62x77/50		bistro sofa						
	FC E2421-0201-2S	0,66	20	x	1 009 050	1 102 050		
61x62x77/50		bistro chair						
	FC E2421-1500-2S	0,32	14	x	655 650	711 450		