

JENNY BISTRO



SITS
— comfortable life

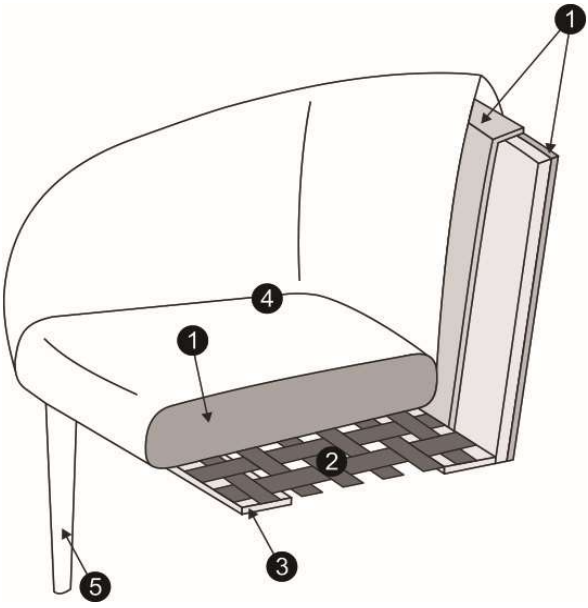
home&family

design: Ian Archer

TECHNICAL SPECIFICATION

PROFILE

COMFORT: standard

	1	polyurethane foam/ high resilient polyurethane foam
	2	upholstery belts
	3	solid wood and wood based elements
	4	fabric
	5	wood legs

UPHOLSTERY:

fabric or leather: FC - fix cover

COLOURS OF WOODEN FRAME

oak



bleached oak



walnut



black



JENNY BISTRO



SITS
— comfortable life

home&family

design: Ian Archer

Sales pricelist 2024

UPHOLSTERY: fabric: FC - fix cover

COMFORT: STD - standard

Currency: EUR

Valid from: 01.02.2024.

DIMENSION	DESCRIPTION ARTICLE No	VOL.	WEIGHT	FABRIC USAGE	I	II	III	IV	E
128x62x77/50	bistro sofa								
	FC E1421-0201-2S	0,66	20	2,70	469 650	492 900	511 500	534 750	590 550
61x62x77/50	bistro chair								
	FC E1421-1500-2S	0,32	14	1,70	311 550	325 500	334 800	348 750	381 300