

HUGO
LEATHER

cocktail&design



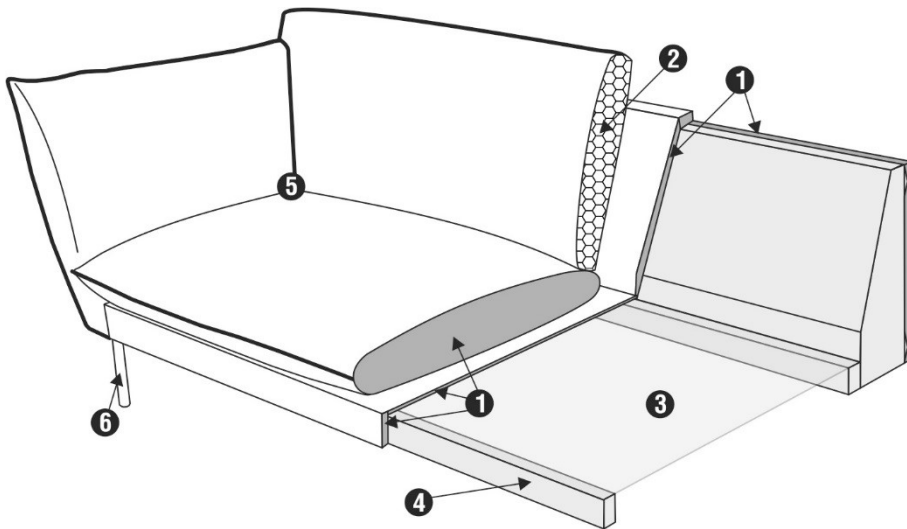
SITS
— comfortable life

design: Ian Archer

TECHNICAL SPECIFICATION

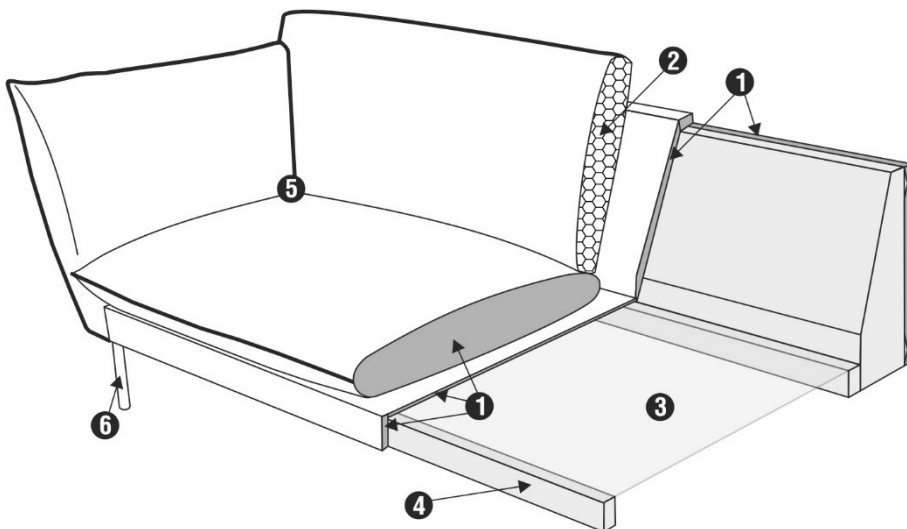
PROFILE

COMFORT: classic



- | | |
|---|---|
| 1 | polyurethane foam/high resilient polyurethane foam (firm) |
| 2 | silicone balls |
| 3 | dynaflex - elastic fabric |
| 4 | solid wood and wood based elements |
| 5 | leather |
| 6 | solid wood or metal legs (black, , chrome,) |

COMFORT: standard

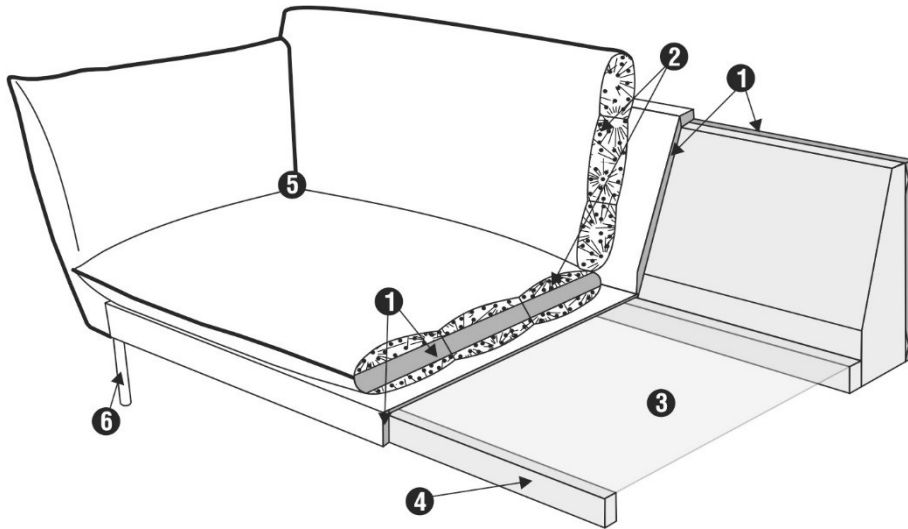


- | | |
|---|--|
| 1 | polyurethane foam/high resilient polyurethane foam |
| 2 | silicone balls |
| 3 | dynaflex - elastic fabric |
| 4 | solid wood and wood based elements |
| 5 | leather |
| 6 | solid wood or metal legs (black, , chrome,) |

COMFORT: lux



TECHNICAL SPECIFICATION



- | | |
|----------|--|
| 1 | polyurethane foam/high resilient polyurethane foam |
| 2 | cushion chamber with mix of feather and silicone balls |
| 3 | dynaflex - elastic fabric |
| 4 | solid wood and wood based elements |
| 5 | leather |
| 6 | solid wood or metal legs (black, , chrome,) |

The producer reserves the right to change construction of products and components used due to improving durability of product and customer satisfaction without any further notice.

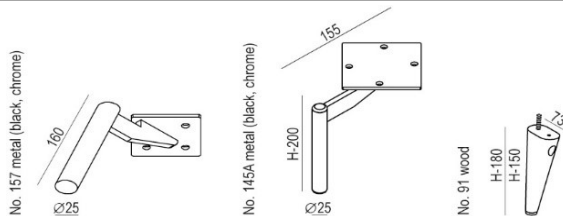
UPHOLSTERY:

fabric or leather: FC - fix cover, Comfort: lux, standard or classic
Explicit: +/- 3 cm tolerance between comfort LUX and STD/CLS in heights

DYNAFLEX

EXTREMELY COMFORTABLE
DYNAFLEX – technologically advanced material used in the seats construction, replaces upholstery belts or springs. Dynaflex is combination of high durability elastomeric yarn by DuPont® and polyester yarn, then the fabric is thermally bonded to achieve high strength.

FEET



COLOURS OF WOODEN FEET



HUGO
LEATHER

cocktail&design



SITS
— comfortable life

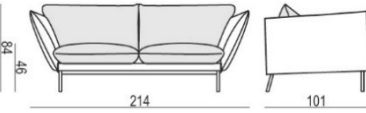
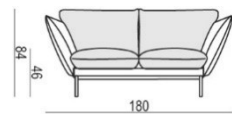
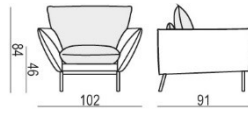
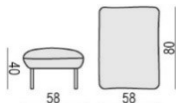
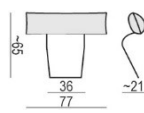
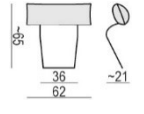
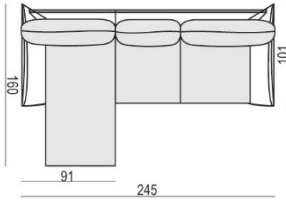
design: Ian Archer

Sales pricelist 2024

UPHOLSTERY: leather: FC - fix cover COMFORTS: standard or lux

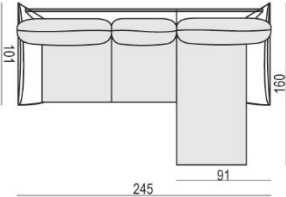
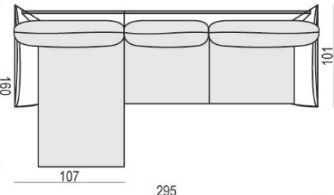
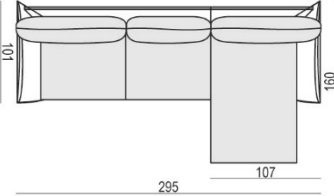
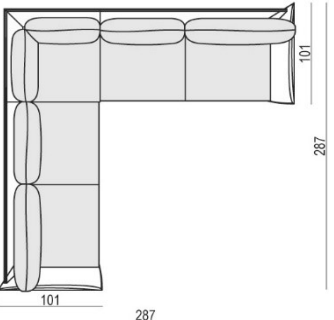
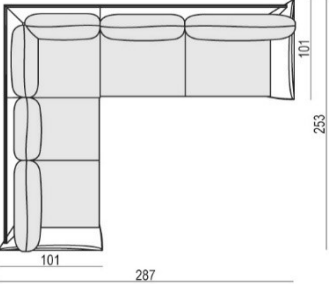
Currency:

Valid from: 01.02.2024.

DIMENSION*	DESCRIPTION ARTICLE No	VOL.	WEIGHT	LEATHER USAGE	TOUCH	ANILINE	
214x101x84/46							
3 seater							
	CLS	E2918-0400-2C	1,34	62	x	1 725 150	1 901 850
	STD	E2418-0400-2S	1,34	62	x	1 804 200	1 980 900
	LUX	E2418-0400-2L	1,34	62	x	1 804 200	1 980 900
180x101x84/46							
2 seater							
	CLS	E2418-0200-2C	1,12	53	x	1 553 100	1 697 250
	STD	E2418-0200-2S	1,12	53	x	1 622 850	1 785 600
	LUX	E2418-0200-2L	1,12	53	x	1 622 850	1 785 600
102x91x84/46							
armchair							
	CLS	E2418-0100-2C	0,49	39	x	1 092 750	1 190 400
	STD	E2418-0100-2S	0,49	39	x	1 143 900	1 255 500
	LUX	E2418-0100-2L	0,49	39	x	1 143 900	1 255 500
58x80x40							
footstool							
	CLS	E2418-1045-2C	0,19	9	x	478 950	530 100
	STD	E2418-1045-2S	0,19	9	x	460 350	511 500
	LUX	E2418-1045-2L	0,19	9	x	460 350	511 500
77x21x65							
headrest 21/77							
	STD/LUX	E2418-2177-4	0,11	2	x	167 400	199 950
62x21x65							
headrest 21/62							
	STD/LUX	E2418-2162-4	0,09	2	x	167 400	199 950
available sets:							
245/160x101x84/46							
SET 1 left - 2 seater r. + chaiselongue l.							
	CLS	E2418-5202-2C	1,86	86	x	2 352 900	2 594 700
	STD	E2418-5202-2S	1,86	86	x	2 520 300	2 762 100
	LUX	E2418-5202-2L	1,86	86	x	2 520 300	2 762 100



Sales pricelist 2024

UPHOLSTERY: leather: FC - fix cover		COMFORTS: standard or lux		Currency:		Valid from: 01.02.2024.	
DIMENSION*	DESCRIPTION ARTICLE No	VOL.	WEIGHT	LEATHER USAGE	TOUCH	ANILINE	
245/160x101x84/46		SET 1 right - 2 seater l. + chaiselongue r.					
	CLS	E2418-5201-2C	1,86	86	x	2 352 900	2 594 700
	STD	E2418-5201-2S	1,86	86	x	2 520 300	2 762 100
	LUX	E2418-5201-2L	1,86	86	x	2 520 300	2 762 100
295/160x101x84/46		SET 2 left - 3 seater r. + chaiselongue wide l.					
	CLS	E2418-5406-2C	2,27	99	x	2 631 900	2 892 300
	STD	E2418-5406-2S	2,27	99	x	2 738 850	3 003 900
	LUX	E2418-5406-2L	2,27	99	x	2 738 850	3 003 900
295/160x101x84/46		SET 2 right - 3 seater l. + chaiselongue wide r.					
	CLS	E2418-5405-2C	2,27	99	x	2 631 900	2 892 300
	STD	E2418-5405-2S	2,27	99	x	2 738 850	3 003 900
	LUX	E2418-5405-2L	2,27	99	x	2 738 850	3 003 900
287/287x101x84/46		SET 3 - 3 seater l. + corner 90° + 3 seater r.					
	CLS	E2418-5440-2C	2,88	142	x	3 822 300	4 189 650
	STD	E2418-5440-2S	2,88	142	x	4 017 600	4 408 200
	LUX	E2418-5440-2L	2,88	142	0,00	4 017 600	4 408 200
287/253x101x84/46		SET 4 left - 3 seater r. + corner 90° + 2 seater l.					
	CLS	E2418-5242-2C	2,67	134	x	3 650 250	3 999 000
	STD	E2418-5242-2S	2,67	134	x	3 854 850	4 240 800
	LUX	E2418-5242-2L	2,67	134	x	3 854 850	4 240 800

HUGO
LEATHER

cocktail&design



SITS
— comfortable life

design: Ian Archer

Sales pricelist 2024

UPHOLSTERY: leather: FC - fix cover COMFORTS: standard or lux Currency: Valid from: 01.02.2024.

DIMENSION*	DESCRIPTION ARTICLE No	VOL.	WEIGHT	LEATHER USAGE	TOUCH	ANILINE
<p>287/253x101x84/46</p>	SET 4 right - 3 seater l. + corner 90° + 2 seater r.					
	CLS E2418-5441-2C	2,67	134	x	3 650 250	3 999 000
	STD E2418-5441-2S	2,67	134	x	3 854 850	4 240 800
	LUX E2418-5441-2L	2,67	134	x	3 854 850	4 240 800
<p>253/253x101x84/46</p>	SET 5 - 2 seater l. + corner 90° + 2 seater r.					
	CLS E2418-5240-2C	2,46	126	x	3 645 600	3 985 050
	STD E2418-5240-2S	2,46	126	x	3 808 350	4 189 650
	LUX E2418-5240-2L	2,46	126	x	3 808 350	4 189 650

*Explicit +/- 2 cm tolerance of all elements sizes