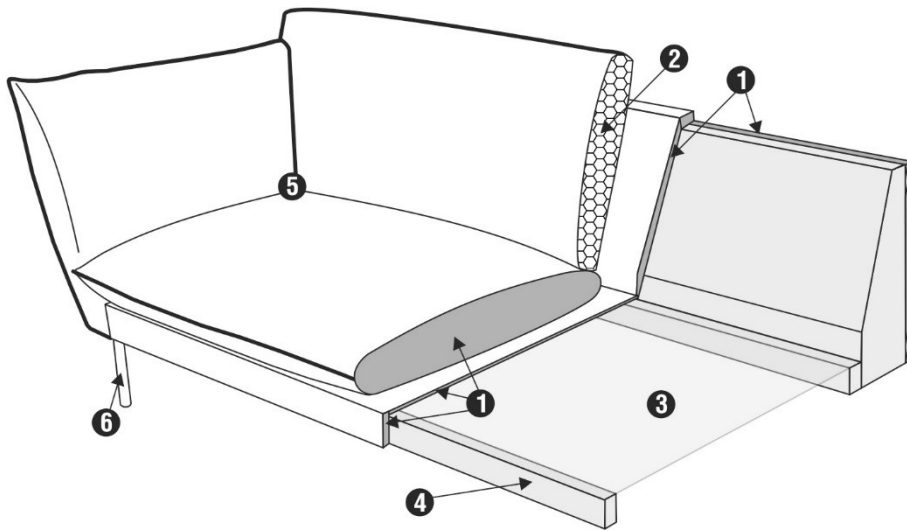




TECHNICAL SPECIFICATION

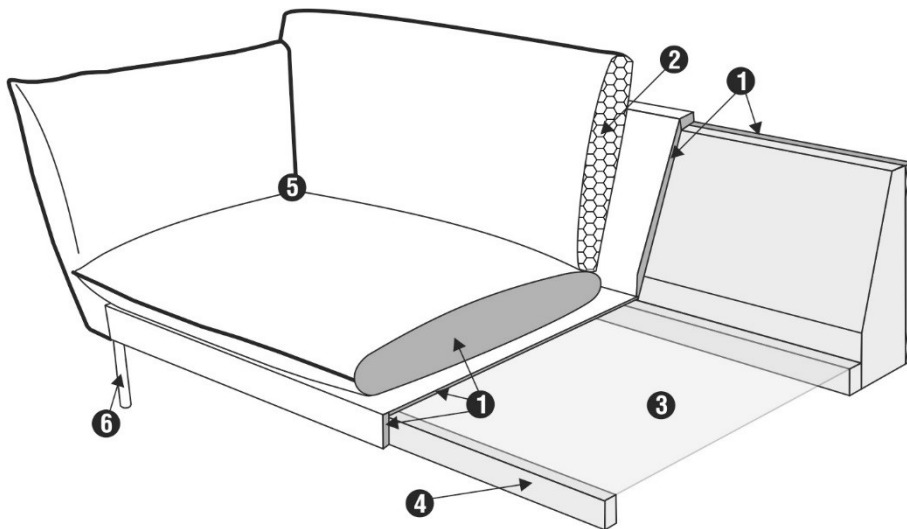
PROFILE

COMFORT: classic



- | | |
|---|---|
| 1 | polyurethane foam/high resilient polyurethane foam (firm) |
| 2 | silicone balls |
| 3 | dynaflex - elastic fabric |
| 4 | solid wood and wood based elements |
| 5 | fabric |
| 6 | solid wood or metal legs (black, , chrome,) |

COMFORT: standard

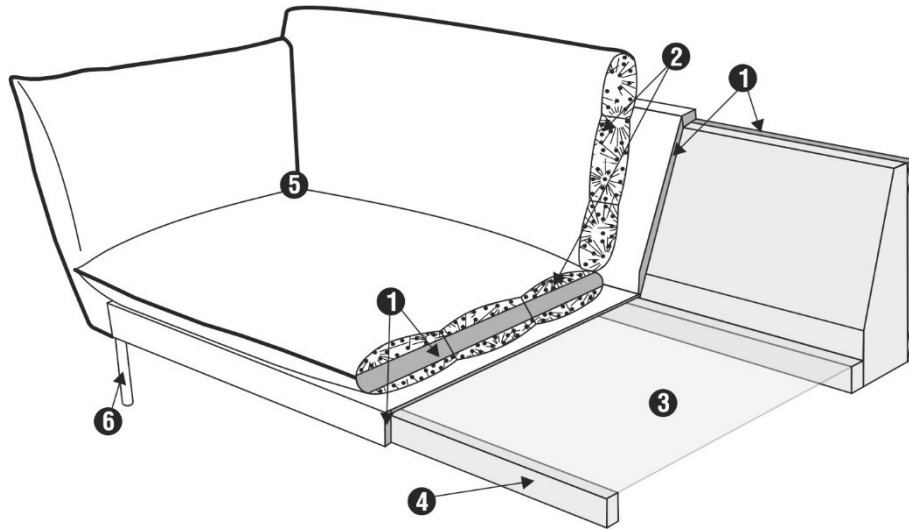


- | | |
|---|--|
| 1 | polyurethane foam/high resilient polyurethane foam |
| 2 | silicone balls |
| 3 | dynaflex - elastic fabric |
| 4 | solid wood and wood based elements |
| 5 | fabric |
| 6 | solid wood or metal legs (black, , chrome,) |

COMFORT: lux



TECHNICAL SPECIFICATION



1	polyurethane foam/high resilient polyurethane foam
2	cushion chamber with mix of feather and silicone balls
3	dynaflex - elastic fabric
4	solid wood and wood based elements
5	fabric
6	solid wood or metal legs (black, , chrome,)

The producer reserves the right to change construction of products and components used due to improving durability of product and customer satisfaction without any further notice.

UPHOLSTERY:

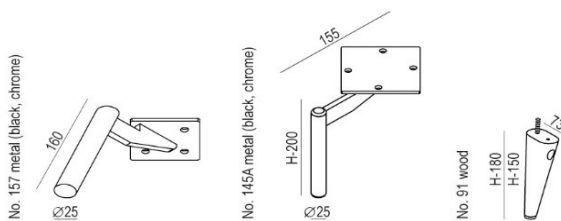
fabric or leather: FC - fix cover, Comfort: lux, standard or classic
Explicit: +/- 3 cm tolerance between comfort LUX und STD/CLS in heights

DYNAFLEX

EXTREMELY COMFORTABLE

DYNAFLEX – technologically advanced material used in the seats construction, replaces upholstery belts or springs. Dynaflex is combination of high durability elastomeric yarn by DuPont ® and polyester yarn, then the fabric is thermally bonded to achieve high strength.

FEET



COLOURS OF WOODEN FEET

HUGO

cocktail&design



SITS
— comfortable life

design: Ian Archer

TECHNICAL SPECIFICATION

oak



bleached
oak



walnut



black





Sales pricelist 2024

UPHOLSTERY: fabric: FC - fix cover COMFORTS: standard or lux

Currency: EUR

Valid from: 01.02.2024.

DIMENSION*	DESCRIPTION ARTICLE No	VOL.	WEIGHT	FABRIC USAGE	I	II	III	IV	E	
214x101x84/46 3 seater										
	CLS	E1418-0400-2C	1,34	62	9,2	776 550	846 300	911 400	985 800	1 232 250
	STD	E1418-0400-2S	1,34	62	9,2	799 800	864 900	943 950	1 023 000	1 283 400
	LUX	E1418-0400-2L	1,34	62	9,2	799 800	864 900	943 950	1 023 000	1 283 400
180x101x84/46 2 seater										
	CLS	E1418-0200-2C	1,12	53	8,2	697 500	757 950	832 350	874 200	1 102 050
	STD	E1418-0200-2S	1,12	53	8,2	730 050	799 800	855 600	920 700	1 148 550
	LUX	E1418-0200-2L	1,12	53	8,2	730 050	799 800	855 600	920 700	1 148 550
102x91x84/47 armchair										
	CLS	E1418-0100-2C	0,49	39	5,1	488 250	539 400	585 900	627 750	776 550
	STD	E1418-0100-2S	0,49	39	5,1	525 450	567 300	604 500	655 650	813 750
	LUX	E1418-0100-2L	0,49	39	5,1	525 450	567 300	604 500	655 650	813 750
58x80x40 footstool										
	CLS	E1418-1045-2C	0,19	9	1,0	246 450	260 400	274 350	279 000	348 750
	STD	E1418-1045-2S	0,19	9	1,0	241 800	246 450	260 400	274 350	334 800
	LUX	E1418-1045-2L	0,19	9	1,0	241 800	246 450	260 400	274 350	334 800
77x21x65 headrest 21/77										
	STD/LUX	E1418-2177-4	0,11	2	1,0	55 800	60 450	65 100	69 750	79 050
62x21x65 headrest 21/62										
	STD/LUX	E1418-2162-4	0,09	2	0,9	55 800	60 450	65 100	69 750	79 050
x armrest protection /set of 2										
	STD/LUX	E1418-1900-0	0,01	1	1,0	46 500	55 800	60 450	65 100	88 350
available sets:										
245/160x101x84/46 SET 1 left - 2 seater r. + chaiselongue l.										
	CLS	E1418-5202-2C	1,86	86	11,7	1 074 150	1 167 150	1 250 850	1 348 500	1 678 650



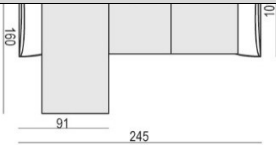
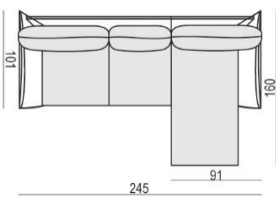
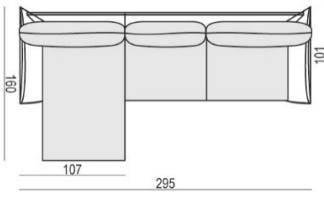
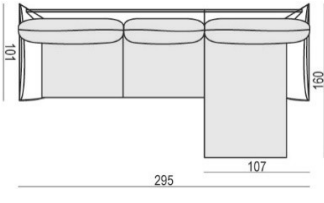
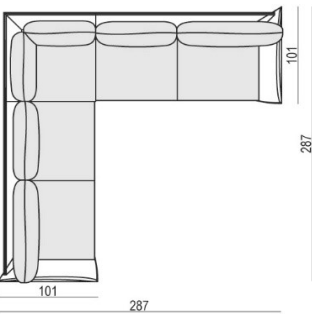
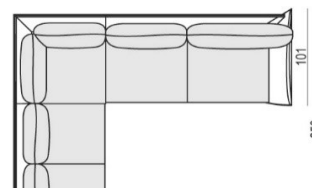
Sales pricelist 2024

UPHOLSTERY: fabric: FC - fix cover

COMFORTS: standard or lux

Currency: EUR

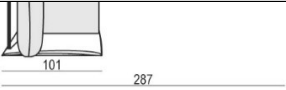
Valid from: 01.02.2024.

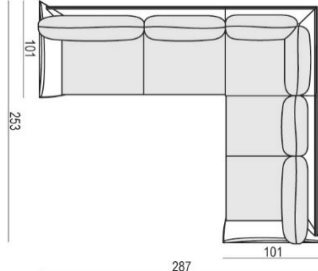
DIMENSION*	DESCRIPTION ARTICLE No	VOL.	WEIGHT	FABRIC USAGE	I	II	III	IV	E
	STD E1418-5202-2S	1,86	86	11,7	1 157 850	1 241 550	1 334 550	1 422 900	1 780 950
	LUX E1418-5202-2L	1,86	86	11,7	1 157 850	1 241 550	1 334 550	1 422 900	1 780 950
245/160x101x84/46 SET 1 right - 2 seater l. + chaiselongue r.									
	CLS E1418-5201-2C	1,86	86	11,7	1 074 150	1 167 150	1 250 850	1 348 500	1 678 650
	STD E1418-5201-2S	1,86	86	11,7	1 157 850	1 241 550	1 334 550	1 422 900	1 780 950
	LUX E1418-5201-2L	1,86	86	11,7	1 157 850	1 241 550	1 334 550	1 422 900	1 780 950
295/160x101x84/46 SET 2 left - 3 seater r. + chaiselongue wide l.									
	CLS E1418-5406-2C	2,27	99	13,7	1 171 800	1 283 400	1 385 700	1 492 650	1 869 300
	STD E1418-5406-2S	2,27	99	13,7	1 227 600	1 334 550	1 436 850	1 553 100	1 939 050
	LUX E1418-5406-2L	2,27	99	13,7	1 227 600	1 334 550	1 436 850	1 553 100	1 939 050
295/160x101x84/46 SET 2 right - 3 seater l. + chaiselongue wide r.									
	CLS E1418-5405-2C	2,27	99	13,7	1 171 800	1 283 400	1 385 700	1 492 650	1 869 300
	STD E1418-5405-2S	2,27	99	13,7	1 227 600	1 334 550	1 436 850	1 553 100	1 939 050
	LUX E1418-5405-2L	2,27	99	13,7	1 227 600	1 334 550	1 436 850	1 553 100	1 939 050
287/287x101x84/46 SET 3 - 3 seater l. + corner 90° + 3 seater r.									
	CLS E1418-5440-2C	2,88	142	20,6	1 692 600	1 846 050	2 004 150	2 171 550	2 697 000
	STD E1418-5440-2S	2,88	142	20,6	1 776 300	1 939 050	2 101 800	2 269 200	2 831 850
	LUX E1418-5440-2L	2,88	142	20,6	1 776 300	1 939 050	2 101 800	2 269 200	2 831 850
287/253x101x84/46 SET 4 left - 3 seater r. + corner 90° + 2 seater l.									
	CLS E1418-5242-2C	2,67	134	19,5	1 613 550	1 776 300	1 911 150	2 073 900	2 576 100
	STD E1418-5242-2S	2,67	134	19,5	1 706 550	1 873 950	2 022 750	2 190 150	2 724 900

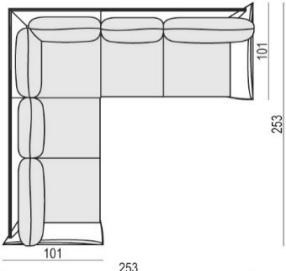


Sales pricelist 2024

UPHOLSTERY: fabric: FC - fix cover COMFORTS: standard or lux Currency: EUR Valid from: 01.02.2024.

DIMENSION*	DESCRIPTION ARTICLE No	VOL.	WEIGHT	FABRIC USAGE	I	II	III	IV	E
	LUX E1418-5242-2L	2,67	134	19,5	1 706 550	1 873 950	2 022 750	2 190 150	2 724 900

287/253x101x84/46	SET 4 right - 3 seater l. + corner 90° + 2 seater r.									
	CLS	E1418-5441-2C	2,67	134	19,5	1 613 550	1 776 300	1 911 150	2 073 900	2 576 100
	STD	E1418-5441-2S	2,67	134	19,5	1 706 550	1 873 950	2 022 750	2 190 150	2 724 900
	LUX	E1418-5441-2L	2,67	134	19,5	1 706 550	1 873 950	2 022 750	2 190 150	2 724 900

253/253x101x84/46	SET 5 - 2 seater l. + corner 90° + 2 seater r.									
	CLS	E1418-5240-2C	2,46	126	18,4	1 608 900	1 757 700	1 906 500	2 069 250	2 566 800
	STD	E1418-5240-2S	2,46	126	18,4	1 683 300	1 846 050	1 999 500	2 148 300	2 697 000
	LUX	E1418-5240-2L	2,46	126	18,4	1 683 300	1 846 050	1 999 500	2 148 300	2 697 000

*Explicit +/- 2 cm tolerance of all elements sizes