

JACK



SITS
— comfortable life

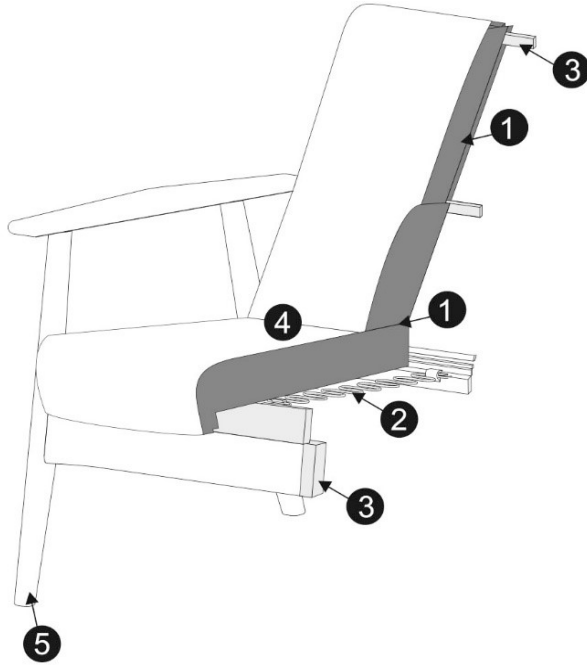
home&family

design: Ian Archer

TECHNICAL SPECIFICATION

PROFILE

COMFORT: standard



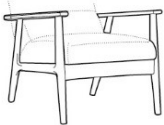
- | | |
|---|--|
| 1 | polyurethane foam/high resilient polyurethane foam |
| 2 | springs |
| 3 | solid wood and wood based elements |
| 4 | fabric |
| 5 | solid wood frame (oak natur or black) |

The producer reserves the right to change construction of products and components used due to improving durability of product and customer satisfaction without any further notice.

UPHOLSTERY:

fabric or leather: FC - fix cover, COMFORT: STD - standard

FEET



COLOURS OF WOODEN FRAME

oak



bleached oak



black



JACK

home&family

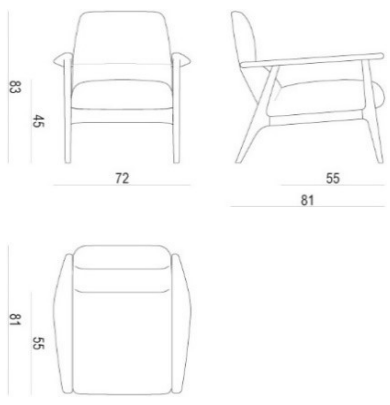


SITS
— comfortable life

design: Ian Archer

Sales pricelist 2024

UPHOLSTERY: fabric: FC - fix cover COMFORT: STD - standard Currency: EUR Valid from: 01.02.2024.

DIMENSION*	DESCRIPTION ARTICLE No	VOL.	WEIGHT	FABRIC USAGE	I	II	III	IV	E
72x81x83/45 	armchair FC E1545-0000-2S	0,63	24	1,5	367 350	390 600	432 450	455 700	567 300

*Explicit +/- 2 cm tolerance of all elements sizes