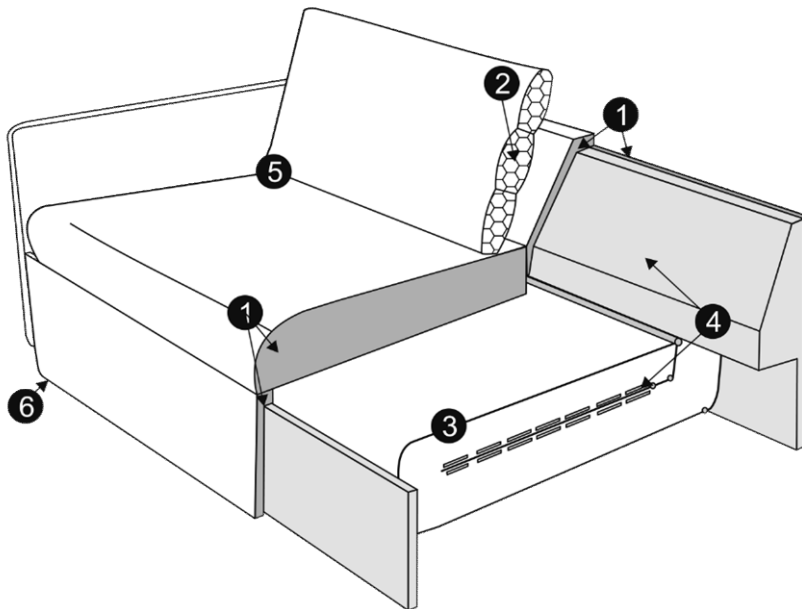




**TECHNICAL SPECIFICATION**

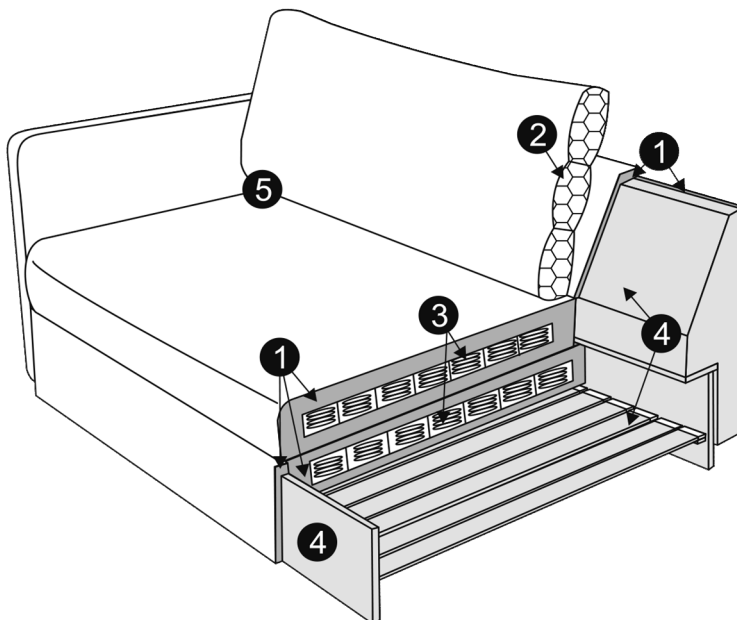
**PROFILE**

COMFORT: Version A standard



- 1 polyurethane foam/ high resilient polyurethane foam
- 2 silicone balls
- 3 foam mattress
- 4 solid wood and wood based elements
- 5 fabric
- 6 solid wood legs

COMFORT: Version B rich



- 1 polyurethane foam/ high resilient polyurethane foam
- 2 silicone balls
- 3 pocket springs mattress
- 4 solid wood and wood based elements
- 5 fabric

The producer reserves the right to change construction of products and compnents used due to improving durability of product and customer satisfaction without any further notice.

**UPHOLSTERY:**

fabric: FC - fix cover, COMFORT: STD - standard; RICH - rich

COLIN

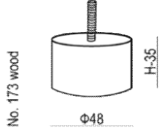
SITS



design: Bottcher&Kaiser

## TECHNICAL SPECIFICATION

### FEET



### COLOURS OF WOODEN FEET

oak



bleached oak



walnut



black



### PHOTOS

version A



Total sofa ver. A depth after spread: 186 cm

version B



Total sofa ver. B depth after spread: 140 cm

### MATTRESS

#### FOAM MATTRESS

reversible  
foam HR 35 kg  
cover: fabric PES 100% + non-woven 220 g , quilted  
height 10 cm



### MECHANISM ver. A

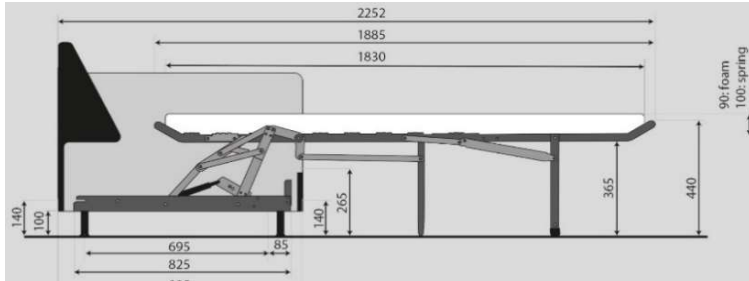
COLIN

SITS

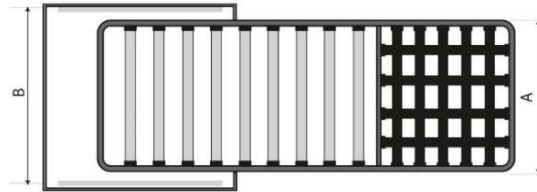


design: Bottcher&Kaiser

TECHNICAL SPECIFICATION



A	B	Width of mattress
150 cm	162,5 cm	143 cm



Measurements in mm

COLIN

SITS



design: Bottcher&Kaiser

**Sales pricelist 2024**

UPHOLSTERY: fabric: FC - fix cover COMFORT: STD - standard; RICH - rich  
MATTRESS: foam or bonell

Currency: EUR

Valid from: 01.02.2024.

DIMENSION* with leg 141a H-150mm	DESCRIPTION ARTICLE No	VOL.	WEIGHT	FABRIC USAGE	I	II	III	IV	E
<p>179x95x80/47</p>	<p><b>sofa bed version A (bed surface: 145 x 186)</b></p>								
<p>FC</p> <p><b>E1585-0340-2S</b></p>	1,15	95	8,1	<b>804 450</b>	<b>855 600</b>	<b>906 750</b>	<b>953 250</b>	<b>1 195 050</b>	
<p>215x92x80/44</p>	<p><b>sofa bed version B (bed surface: 140 x 200)</b></p>								
<p>FC</p> <p><b>E1585-0440-2R</b></p>	1,24	97	10,0	<b>739 350</b>	<b>799 800</b>	<b>860 250</b>	<b>916 050</b>	<b>1 148 550</b>	

\*Explicit +/- 2 cm tolerance of all elements sizes