

# CLARK

leather



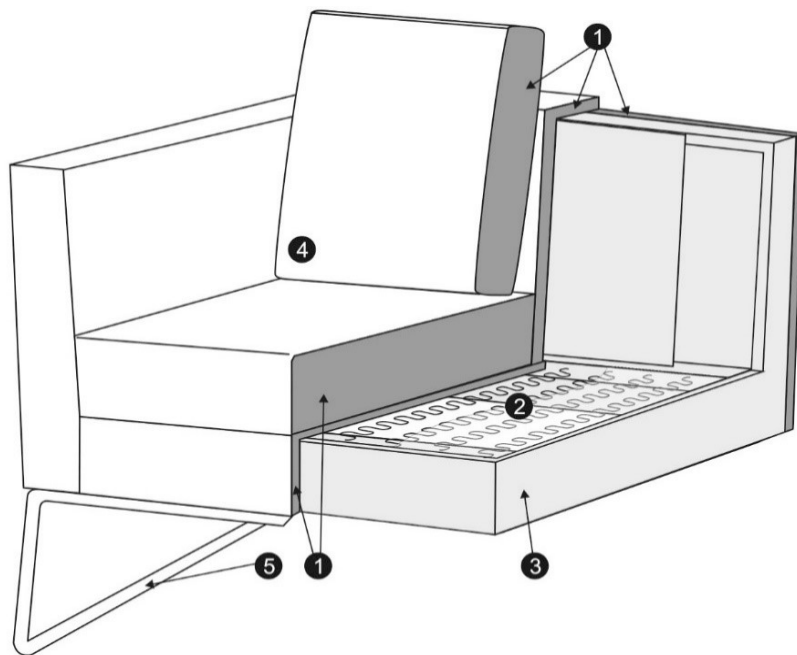
**SITS**

design: Niels Gammelgaard

## TECHNICAL SPECIFICATION

### PROFILE

COMFORT: standard



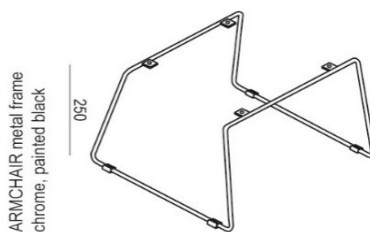
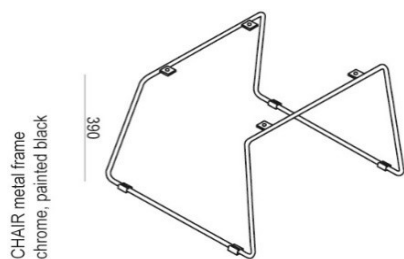
- |   |   |
|---|---|
| 1 | polyurethane foam/ high resilient polyurethane foam |
| 2 | springs   |
| 3 | solid wood and wood based elements                  |
| 4 | leather   |
| 5 | metal frame (black or chrome)                       |

The producer reserves the right to change construction of products and components used due to improving durability of product and customer satisfaction without any further notice.

### UPHOLSTERY:

leather or fabric: FC - fix cover, COMFORT: STD - standard

### FEET



CLARK  
leather



SITS

design: Niels Gammelgaard

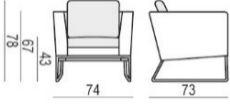
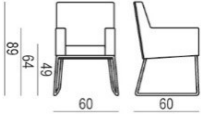
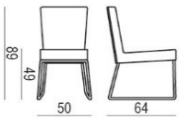
**Sales pricelist 2024**

UPHOLSTERY: leather: FC - fix cover

COMFORT: STD - standard

Currency: EUR

Valid from: 01.02.2024.

DIMENSION*	DESCRIPTION ARTICLE No	VOL.	WEIGHT	LEATHER USAGE	TOUCH	ANILINE
74x73x78/43 	<b>armchair</b>  E2553-0001-2S	0,50	23	x	<b>562 650</b>	<b>730 050</b>
60x60x89/49 	<b>chair with armrests</b>  E2553-1501-2S	0,40	15	x	<b>311 550</b>	<b>348 750</b>
50x64x89/49 	<b>chair without armrests</b>  E2553-1500-2S	0,40	15	x	<b>274 350</b>	<b>325 500</b>

\*Explicit +/- 2 cm tolerance of all elements sizes