

# CLARK

fabric



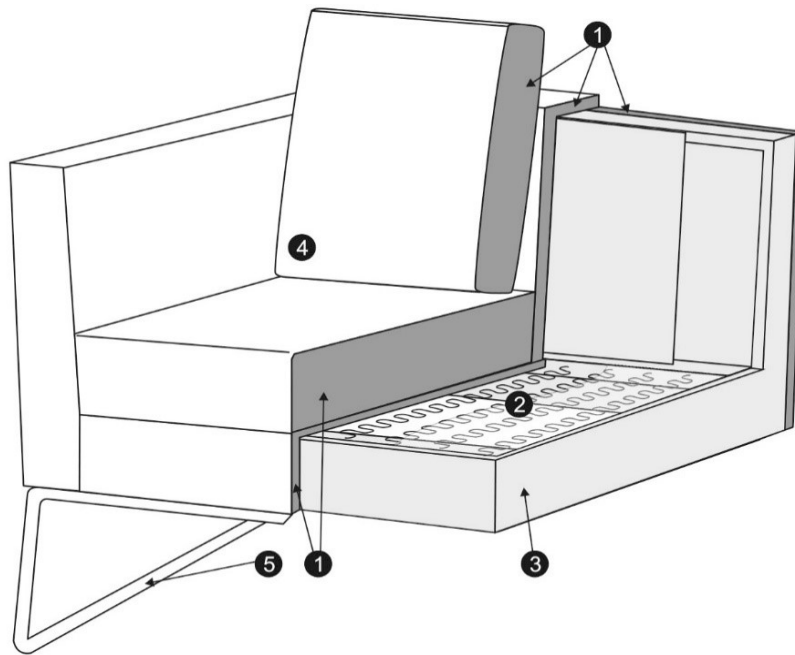
**SITS**

design: Niels Gammelgaard

## TECHNICAL SPECIFICATION

### PROFILE

COMFORT: standard



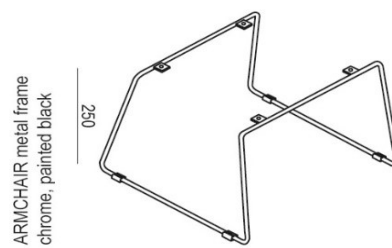
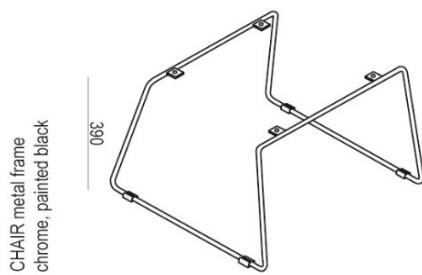
- |   |   |
|---|---|
| 1 | polyurethane foam/ high resilient polyurethane foam |
| 2 | springs   |
| 3 | solid wood and wood based elements                  |
| 4 | fabric  |
| 5 | metal frame (black or chrome)                       |

The producer reserves the right to change construction of products and components used due to improving durability of product and customer satisfaction without any further notice.

### UPHOLSTERY:

fabric or leather: FC - fix cover, COMFORT: standard

### FEET



CLARK  
fabric



SITS

design: Niels Gammelgaard

### Sales pricelist 2024

UPHOLSTERY: fabric: FC - fix cover COMFORT: standard

currency: EUR

Valid from: 01.02.2024.

DIMENSION*	DESCRIPTION ARTICLE No	VOL.	WEIGHT	FABRIC USAGE	I	II	III	IV	E
74x73x78/43 	<b>armchair</b>								
FC	<b>E1553-0001-2S</b>	0,50	23	3,1	<b>246 450</b>	<b>260 400</b>	<b>288 300</b>	<b>306 900</b>	<b>372 000</b>
60x60x89/49 	<b>chair with armrests</b>								
FC	<b>E1553-1501-2S</b>	0,40	15	1,6	<b>181 350</b>	<b>186 000</b>	<b>195 300</b>	<b>209 250</b>	<b>255 750</b>
50x64x89/49 	<b>chair without armrests</b>								
FC	<b>E1553-1500-2S</b>	0,40	15	1,1	<b>167 400</b>	<b>172 050</b>	<b>181 350</b>	<b>186 000</b>	<b>227 850</b>
	<b>armrest protection / set of 2</b>								
LC	<b>E1553-1900-0</b>	0,01	1	0,7	<b>46 500</b>	<b>55 800</b>	<b>60 450</b>	<b>65 100</b>	<b>88 350</b>

\*Explicit +/- 2 cm tolerance of all elements sizes