



TECHNICAL SPECIFICATION

PROFILE

COMFORT: standard

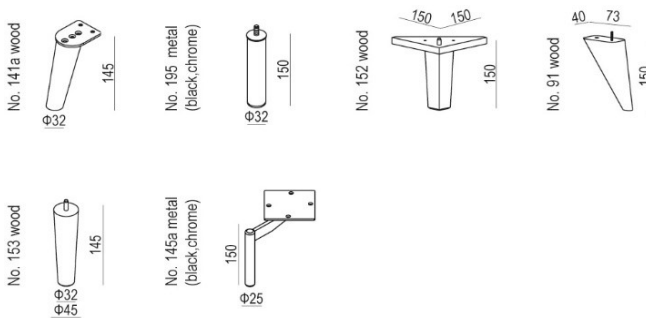
	1	polyurethane foam/ high resilient polyurethane foam
	2	silicone balls
	3	metal mechanism with polyurethane foam or bonnell springs mattress
	4	solid wood and wood based elements
	5	fabric
	6	solid wood legs or metal legs

The producer reserves the right to change construction of products and compnents used due to improving durability of product and customer satisfaction without any further notice.

UPHOLSTERY:

fabric: FC - fix cover, COMFORT: STD - standard MATTRESS: foam or bonell

FEET



COLOURS OF WOODEN FEET



PHOTOS

HENRY

SITS
— comfortable life

home&family



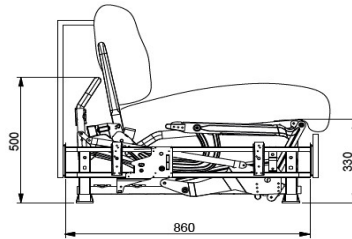
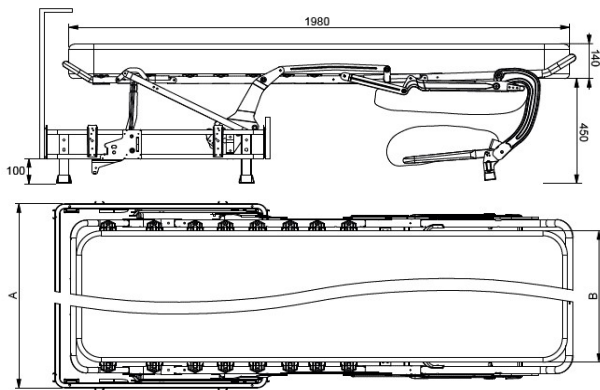
design: SITS

TECHNICAL SPECIFICATION



Total sofa depth after spread: 212 cm

MECHANISM



REF	A	B/Matress
182/160	182 cm	160 cm
162/140	162 cm	140 cm
102/80	102 cm	80 cm

MATTRESS

FOAM MATTRESS

foam HR 30 kg / non-reversible
 Cover top: 100% PE, 180 g/m³
 Cover bottom: 73% PE, 27% PP, 116g/m³
 height 14 cm



top



bottom

SPRING MATTRESS

HENRY



SITS
— comfortable life

home&family

design: SITS

TECHNICAL SPECIFICATION

Reversible

springs biconical 2,2mm / height 9 cm

cover top and bottom: 73% PE, 27% PP, non woven fabric stitched FR flet 750g/m³

height 14 cm



HENRY


SITS
 — comfortable life

home&family

design: SITS

Sales pricelist 2024

UPHOLSTERY: fabric: FC - fix cover COMFORT: STD - standard MATTRESS: foam or bonell currency: EUR

Valid from: 01.02.2024.

DIMENSION* with leg 141a H-150mm	DESCRIPTION ARTICLE No	VOL.	WEIGHT	FABRIC USAGE	I	II	III	IV	E
220x99x88/50 	4 seater sofa bed (bed surface: 160 x 200 x H:63cm) FC E1541-0840-2S	1,54	112	8,6	948 600	999 750	1 055 550	1 106 700	1 367 100
200x99x88/50 	3 seater sofa bed (bed surface: 140 x 200 x H:63cm) FC E1541-0440-2S	1,37	102	8,0	874 200	916 050	967 200	1 018 350	1 269 450
140x99x88/50 	armchair sofa bed (bed surface: 80 x 200 x H:63cm) FC E1541-0040-2S	0,90	65	6,0	716 100	757 950	790 500	832 350	911 400
66x22	armrest protection / set of 2								

HENRY


SITS
 —comfortable life

home&family

design: SITS

Sales pricelist 2024

UPHOLSTERY: fabric: FC - fix cover COMFORT: STD - standard MATTRESS: foam or bonell currency: EUR

Valid from: 01.02.2024.

DIMENSION* with leg 141a H-150mm	DESCRIPTION ARTICLE No	VOL.	WEIGHT	FABRIC USAGE	I	II	III	IV	E
	LC E1541-1900-0	0,1	1	1	46500	55800	60450	65100	88350
280/150x99x88/50	SET 1 left - 3 seater sofa bed r. + chaiselongue box l. (bed surface: 140x200xH:63cm)								
	FC E1541-5433-2S	2,19	142	12,3	1 232 250	1 315 950	1 395 000	1 464 750	1 641 450
									
280/150x99x88/50	SET 1 right - 3 seater sofa bed l. + chaiselongue box r. (bed surface: 140x200xH:63cm)								
	FC E1541-5432-2S	2,19	142	12,3	1 232 250	1 315 950	1 395 000	1 464 750	1 641 450
									
310/150x99x88/50	SET 2 left - 4 seater sofa bed r. + chaiselongue box l. (bed surface: 160x200xH:63cm)								

HENRY



SITS
— comfortable life

home&family

design: SITS

Sales pricelist 2024

UPHOLSTERY: fabric: FC - fix cover COMFORT: STD - standard MATTRESS: foam or bonell currency: EUR

Valid from: 01.02.2024.

DIMENSION* with leg 141a H-150mm	DESCRIPTION ARTICLE No	VOL.	WEIGHT	FABRIC USAGE	I	II	III	IV	E
	FC E1541-5999-2S	2,59	157	13,1	1 315 950	1 404 300	1 497 300	1 567 050	1 757 700

310/150x99x88/50	SET 2 right - 4 seater sofa bed l. + chaiselongue box r. (bed surface: 160x200xH:63cm)								
	FC E1541-5998-2S	2,59	157	13,1	1 315 950	1 404 300	1 497 300	1 567 050	1 757 700

Total sofa depth after spread: 212 cm. BOX in SET 1 - 122x74,5x15 / vol 0,14 m3, BOX in SET 2 - 122x84,5x15 / vol 0,16 m3

*Explicit +/- 2 cm tolerance of all elements sizes