

FELIX

SITS
— comfortable life

home&family



design: SITS

TECHNICAL SPECIFICATION

PROFILE

COMFORT: standard

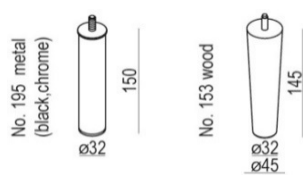
	1	polyurethane foam/ high resilient polyurethane foam
	2	silicone balls
	3	metal mechanism with polyurethane foam or bonnell springs mattress
	4	solid wood and wood based elements
	5	fabric
	6	solid wood legs or metal legs

The producer reserves the right to change construction of products and components used due to improving durability of product and customer satisfaction without any further notice.

UPHOLSTERY:

fabric: FC - fix cover, COMFORT: STD - standard MATTRESS: foam or bonell

FEET



COLOURS OF WOODEN FEET



PHOTOS



FELIX

SITS
— comfortable life

home&family

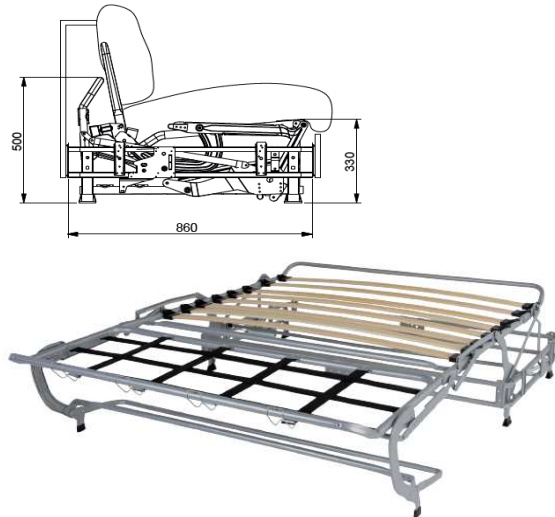
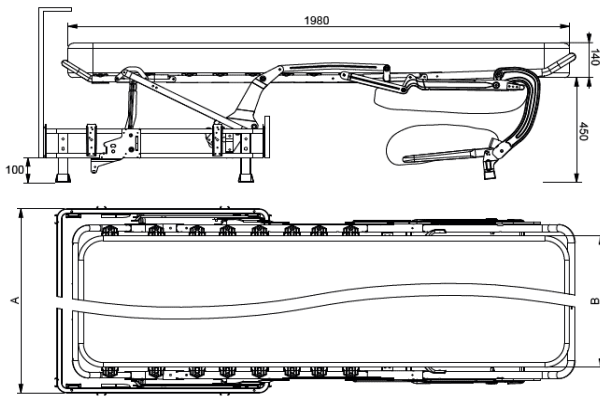


design: SITS

TECHNICAL SPECIFICATION

Total sofa depth after spread: 212 cm

MECHANISM



REF	A	B/Matress
182/160	182 cm	160 cm
162/140	162 cm	140 cm
102/80	102 cm	80 cm

MATTRESS

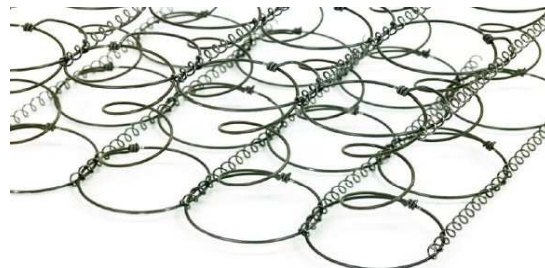
FOAM MATTRESS

foam HR 30 kg / non-reversible
Cover top: 100% PE, 180 g/m³
Cover bottom: 73% PE, 27% PP, 116g/m³
height 14 cm



SPRING MATTRESS

Reversible
springs biconical 2,2mm / height 9 cm
cover top and bottom: 73% PE, 27% PP, non woven fabric stitched FR flet 750g/m³
height 14 cm



FELIX



SITS
— comfortable life

home&family

design: SITS

Sales pricelist 2024

UPHOLSTERY: fabric: FC - fix cover COMFORT: STD - standard
MATTRESS: foam or bonell

currency: EUR

Valid from: 01.01.2024

DIMENSION* with legs 111d H-150cm	DESCRIPTION ARTICLE No	VOL.	WEIGHT	FABRIC USAGE	I	II	III	IV	E	
<p>201x99x88/50</p> <p>4 seater sofa bed (bed surface: 160 x 200 x H:63cm)</p>	FC	E1546-0840-2S	1,54	108	8,3	948 600	999 750	1 055 550	1 106 700	1 367 100
<p>181x99x88/50</p> <p>3 seater sofa bed (bed surface: 140 x 200 x H:63cm)</p>	FC	E1546-0440-2S	1,37	101	7,7	874 200	916 050	967 200	1 018 350	1 269 450
<p>122x99x88/50</p> <p>armchair sofa bed (bed surface: 80 x 200 x H:63cm)</p>	FC	E1546-0040-2S	0,79	61	5,8	716 100	757 950	790 500	832 350	911 400
65x20	armrest protection / set of 2									

FELIX



SITS
— comfortable life

home&family

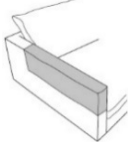
design: SITS

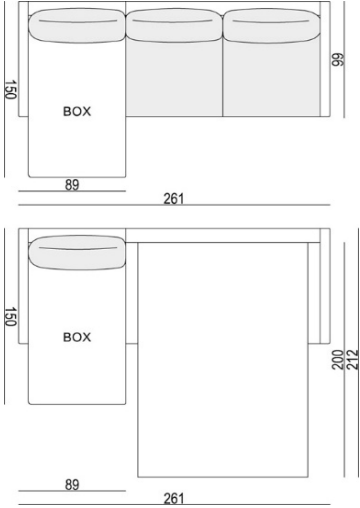
Sales pricelist 2024

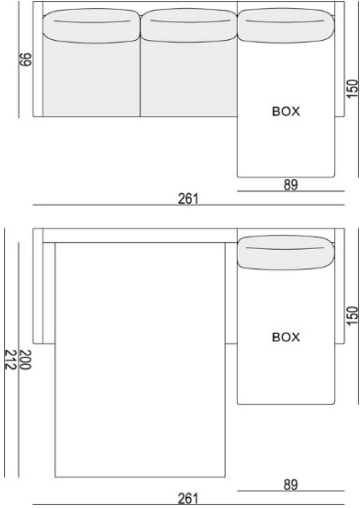
UPHOLSTERY: fabric: FC - fix cover COMFORT: STD - standard
MATTRESS: foam or bonell

currency: EUR

Valid from: 01.01.2024

DIMENSION* with legs 111d H-150cm	DESCRIPTION ARTICLE No	VOL.	WEIGHT	FABRIC USAGE	I	II	III	IV	E
	LC E1546-1900-0	0,10	1	0,8	46 500	55 800	60 450	65 100	88 350

261/150x99x88/50	SET 1 left - 3 seater sofa bed r. + chaiselongue box l. (bed surface: 140x200xH:63cm)									
	FC	E1546-5433-2S	2,24	135	11,9	1 232 250	1 315 950	1 395 000	1 464 750	1 641 450

261/150x99x88/50	SET 1 right - 3 seater sofa bed l. + chaiselongue box r. (bed surface: 140x200xH:63cm)									
	FC	E1546-5432-2S	2,24	135	11,9	1 232 250	1 315 950	1 395 000	1 464 750	1 641 450

291/150x99x88/50	SET 2 left - 4 seater sofa bed r. + chaiselongue box l. (bed surface: 160x200xH:63cm)								
------------------	---	--	--	--	--	--	--	--	--

FELIX



SITS
— comfortable life

home&family

design: SITS

Sales pricelist 2024

UPHOLSTERY: fabric: FC - fix cover COMFORT: STD - standard
MATTRESS: foam or bonell

currency: EUR

Valid from: 01.01.2024

DIMENSION* with legs 111d H-150cm	DESCRIPTION ARTICLE No	VOL.	WEIGHT	FABRIC USAGE	I	II	III	IV	E
	FC E1546-5999-2S	2,50	150	12,8	1 315 950	1 404 300	1 497 300	1 567 050	1 757 700

291/150x99x88/50	SET 2 right - 4 seater sofa bed l. + chaiselongue box r. (bed surface: 160x200xH:63cm)								
	FC E1546-5998-2S	2,50	150	12,8	1 315 950	1 404 300	1 497 300	1 567 050	1 757 700

Total sofa depth after spread: 212 cm. BOX in set 1 - 122x74,5x15 / vol 0,14 m3, BOX in SET 2 - 122x84,5x15 / vol 0,16 m3

*Explicit +/- 2 cm tolerance of all elements sizes