

UMA



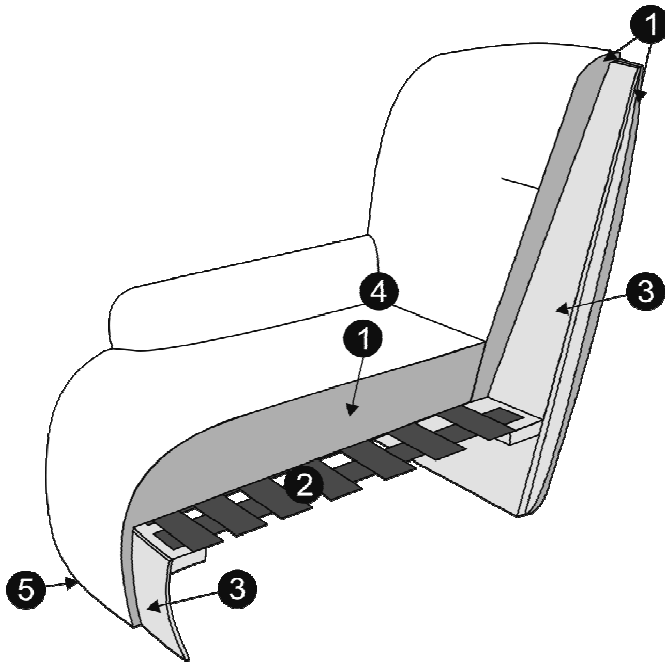
SITS

design: Steven Schilte

TECHNICAL SPECIFICATION

PROFILE

COMFORT: standard



1	polyurethane foam/high resilient polyurethane foam
2	upholstery belts
3	solid wood and wood based elements
4	leather
5	plastic legs or swivel

The producer reserves the right to change construction of products and components used due to improving durability of product and customer satisfaction without any further notice.

UPHOLSTERY:

fabric or leather: FC - fix cover, COMFORT: STD - standard

FEET



UMA



SITS

design: Steven Schilte

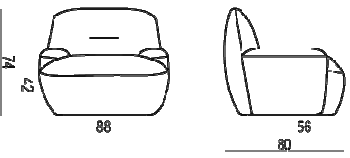
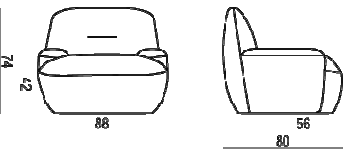
Sales Pricelist 2024

UPHOLSTERY: leather: FC - fix cover

COMFORT: STD - standard

Currency:

Valid from: 01.02.2024

DIMENSION*	DESCRIPTION ARTICLE No	VOL.	WEIGHT	LEATHER USAGE	TOUCH	ANILINE
<p>88x80x74/42</p> 	<p>armchair</p> <p>FC E2577-0000-2S</p>	0,63	30	x	451 050	525 450
<p>88x80x74/42</p> 	<p>armchair with swivel</p> <p>FC E2577-0050-2S</p>	0,63	40	x	502 200	576 600

*Explicit +/- 2 cm tolerance of all elements sizes