

UMA



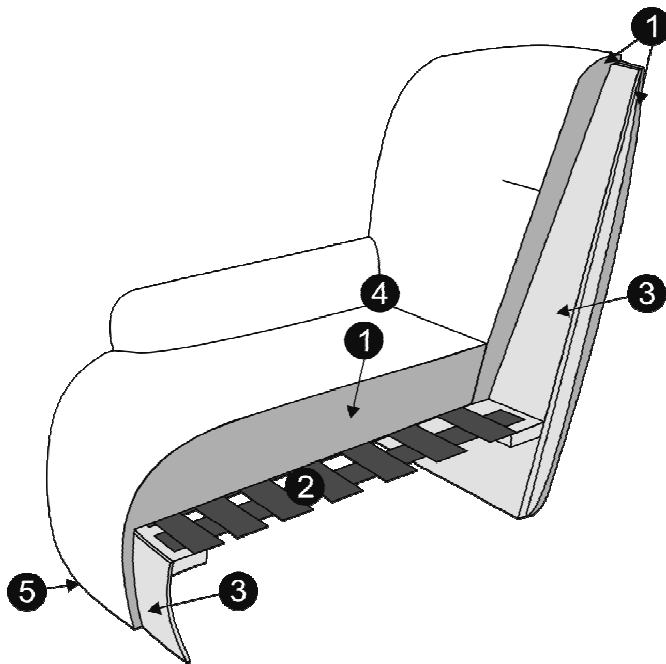
SITS

design: Steven Schilte

TECHNICAL SPECIFICATION

PROFILE

COMFORT: standard



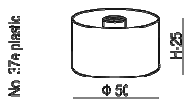
1	polyurethane foam/high resilient polyurethane foam
2	upholstery belts
3	solid wood and wood based elements
4	fabric
5	plastic legs or swivel

The producer reserves the right to change construction of products and components used due to improving durability of product and customer satisfaction without any further notice.

UPHOLSTERY:

fabric or leather: FC - fix cover, COMFORT: STD - standard

FEET



UMA



SITS

design: Steven Schilte

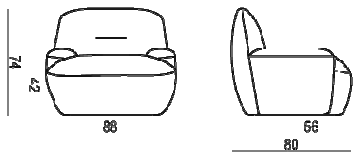
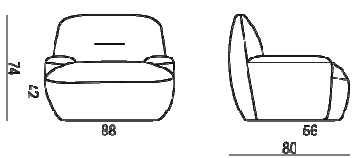
Sales Pricelist 2024

UPHOLSTERY: fabric: FC - fix cover

COMFORT: STD - standard

Currency: EUR

Valid from: 01.02.2024

DIMENSION*	DESCRIPTION ARTICLE No	VOL.	WEIGHT	FABRIC USAGE	I	II	III	IV	E	
88x80x74/42	armchair									
	FC	E1577-0000-2S	0,63	30	2,5	265 050	279 000	292 950	311 550	348 750
88x80x74/42	armchair with swivel									
	FC	E1577-0050-2S	0,63	40	2,5	325 500	339 450	353 400	367 350	399 900

*Explicit +/- 2 cm tolerance of all elements sizes