

# MOKKA

LEATHER

cocktail&design



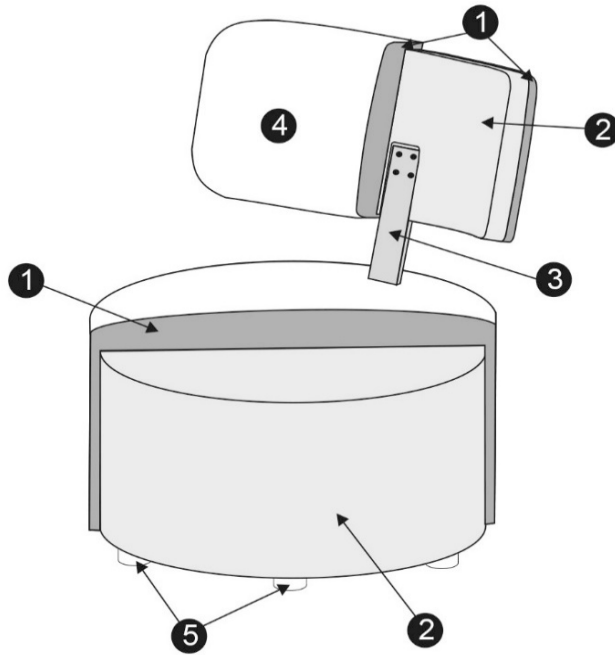
**SITS**  
— comfortable life

design: SITS

## TECHNICAL SPECIFICATION

### PROFILE

COMFORT: standard



- |   |  |
|---|--|
| 1 | polyurethane foam/high resilient polyurethane foam |
| 2 | solid wood/wood based elements and cardboard       |
| 3 | metal bar black                                    |
| 4 | leather  |
| 5 | plastic legs or swivel                             |

The producer reserves the right to change construction of products and components used due to improving durability of product and customer satisfaction without any further notice.

### UPHOLSTERY:

fabric or leather: FC - fix cover, Comfort: Standard

### SPECIAL FEATURES

backrest metal part - black



### FEET

ARMCHAIR ESPRESSO,  
FOOTSTOOL SUGAR



ARMCHAIR CREAM,  
FOOTSTOOLS: CACAO, VANILIA



SWIVEL:  
ARMCHAIR ESPRESSO,  
FOOTSTOOL SUGAR

**MOKKA**  
LEATHER

cocktail&design

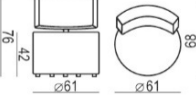
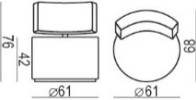
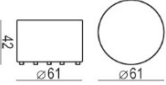
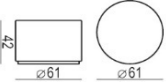
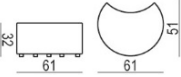


**SITS**  
— comfortable life

design: SITS

**Sales Pricelist 2024**

UPHOLSTERY: leather: FC - fix cover COMFORT: standard Currency: Valid from: 01.02.2024

DIMENSION*	DESCRIPTION ARTICLE No	VOL.	WEIGHT	LEATHER USAGE	TOUCH	ANILINE
61x68x76/42	<b>armchair espresso</b>					
	<b>E2321-0000-2S</b>	0,40	16	x	<b>334 800</b>	<b>372 000</b>
61x68x76/42	<b>armchair espresso with swivel</b>					
	<b>E2321-0050-2S</b>	0,40	27	x	<b>381 300</b>	<b>427 800</b>
61x42	<b>footstool sugar</b>					
	<b>E2321-1010-2S</b>	0,20	10	x	<b>260 400</b>	<b>283 650</b>
61x42	<b>footstool sugar with swivel</b>					
	<b>E2321-1011-2S</b>	0,20	15	x	<b>348 750</b>	<b>381 300</b>
61x51x32	<b>footstool vanilia</b>					
	<b>E2321-1035-2S</b>	0,10	9	x	<b>260 400</b>	<b>283 650</b>

\*Explicit +/- 2 cm tolerance of all elements sizes